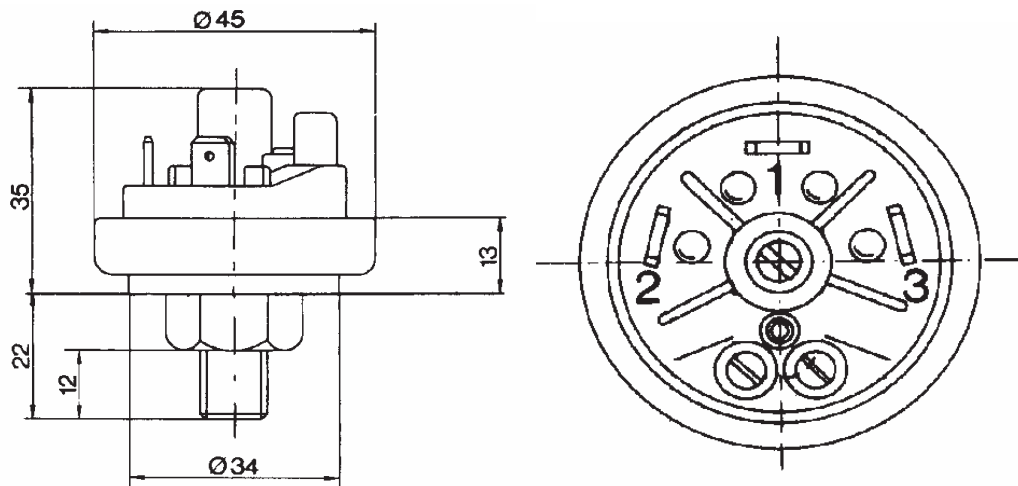


# SPA & BATHTUBS ACCESSORIES

## PRESSURE SWITCH

Pressure switch. House made in PVC or brass.



### Performance

|                              |                  |
|------------------------------|------------------|
| Thread                       | 10 x 1 mm        |
| Terminals                    | 3 - 1 - 2        |
| Volt                         | Max 250 vac      |
| Amp                          | Max 6 A          |
| Switch pressure              | 1000 mm. m/water |
| Reset pressure               | 600 mm. m/water  |
| IP                           | 44               |
| Close function between 1 - 3 |                  |

