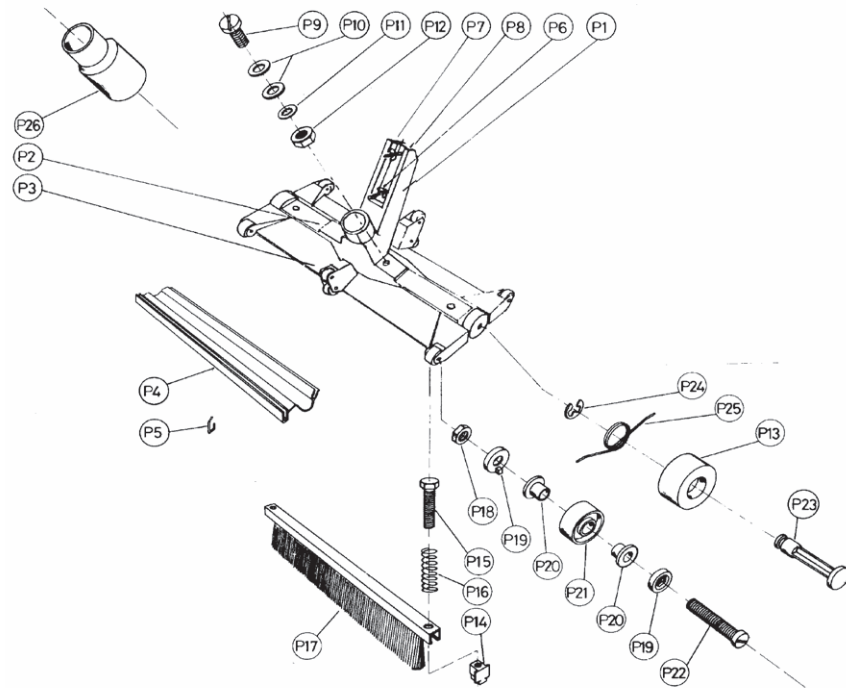


# POOL CLEANERS

## FAIRLOCK PROFESSIONEL VACUUM CLEANER



### Spare parts for Fairlocks pool cleaner

|     |                     |           |
|-----|---------------------|-----------|
| P1  | Handle              | 39-700501 |
| P2  | Center Body         | 39-700502 |
| P3  | Flap                | 39-700503 |
| P4  | Flap seal           | Pack A    |
| P5  | Seal clip           | Pack A    |
| P6  | M6 wing nut         | 39-700506 |
| P7  | M6 x 50 screw       | 39-700507 |
| P8  | Weight              | 39-700508 |
| P9  | M6 x 15             | Pack B    |
| P10 | Washer              | Pack B    |
| P11 | Washer              | Pack B    |
| P12 | M6 full nut         | Pack B    |
| P13 | 50mm wheel          | Pack C    |
| P14 | Screw for bracket   | Pack D    |
| P15 | M5 x 35 screw       | Pack D    |
| P16 | Brush spring        | Pack D    |
| P17 | Brush               | 39-700517 |
| P18 | M5 full nut         | Pack E    |
| P19 | Washer              | Pack E    |
| P20 | Brush               | Pack E    |
| P21 | 30 mm wheel         | 39-700556 |
| P22 | M5 x 30 screw       | 39-700522 |
| P23 | Axel pin            | Pack G    |
| P24 | Circlip             | Pack G    |
| P25 | Torsion spring      | 39-700525 |
| P26 | Adaptor 2" x 1 1/4" | 39-700526 |

### Service packs

| Pack A    | contains | Pack E    | contains |
|-----------|----------|-----------|----------|
| 39-700551 | 2 x P4   | 39-700555 | 1 x P18  |
|           | 4 x P5   |           | 2 x P19  |
|           |          |           | 2 x P20  |
| Pack B    | contains |           | 1 x P21  |
| 39-700552 | 2 x P9   |           | 1 x P22  |
|           | 4 x P10  |           |          |
|           | 2 x P11  | Pack F    | contains |
|           | 2 x P12  | 39-700556 | 3 x P21  |
| Pack C    | contains | Pack G    | contains |
| 39-700553 | 2 x P13  | 39-700557 | 2 x P24  |
|           |          |           | 2 x P25  |
| Pack D    | contains |           | 2 x P23  |
| 39-700554 | 1 x P17  |           |          |
|           | 2 x P14  |           |          |
|           | 2 x P15  |           |          |
|           | 2 x P16  |           |          |