

WELLDANA FLAT LED PROJECTOR FOR SWIMMING POO – COLOR LIGHTING

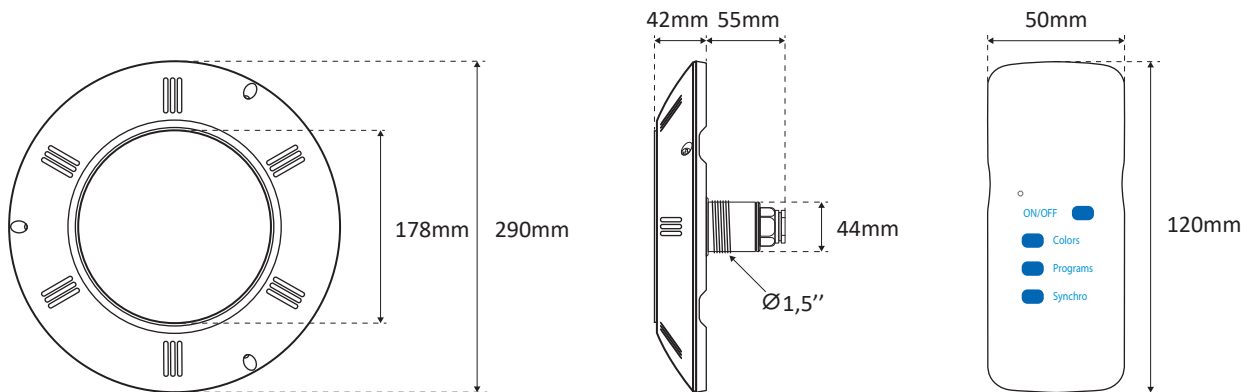


Model : 34-131030
 Type : 90 LED 3528 / 120°
 Color : 30R, 30G, 30B
 Control : On/Off and 433Mhz radio remote
 Functions : 11 static colors et 5 programs
 Material : Fixture and lens in polycarbonate (PC), ring in ASA
 1,5'' threat to screw in vacuum fitting
 Wire connection : 2 screw terminals
 2 meters HO7RNF wire 2x1,5mm²
 HS code : 9405403990
 Bar code : 3700450502877
Contents of the packaging :

- Flat LED Projector
- 1 white crown
- 2 heat shrinkable connectors
- 2 gaskets
- 1 HO7RNF cable 2x1,5mm²
- Inground pool installation kit
- 5 nylon screws
- Radio remote
- 1 CR2032 battery
- Usage and maintenance manual

Option :
 - Above ground pool installation kit (34-131040)

DIMENSIONS

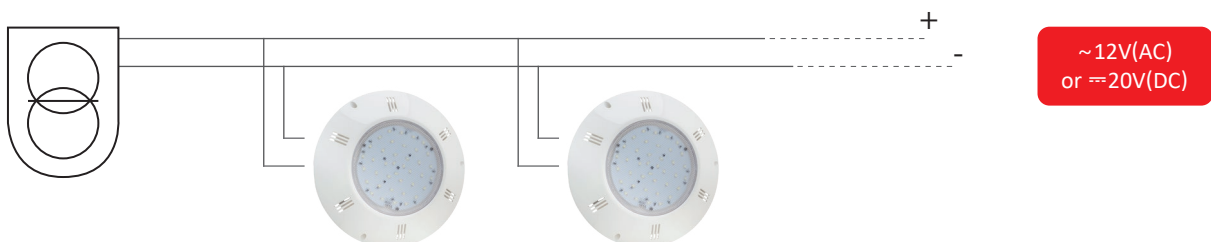


PACKING

Part Number	Box	Weight	Size	Carton	Weight	Size	Pallet	Weight	Size
34-131030	1U	1,7kg	30x30x11,5cm	5U	8,5kg	60x32x32cm	180U	325kg	100x120x207cm

CONNECTION

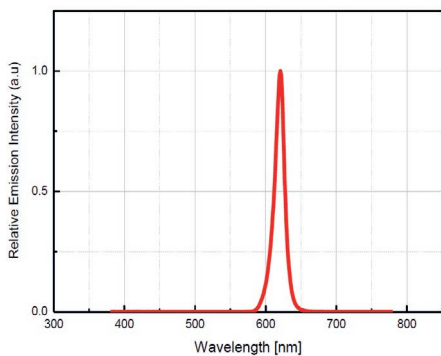
Use a 2 x 1mm² minimum cross section of connecting cable, to adapt according to the distance between the junction box of the projector and the transformer well as the power input.



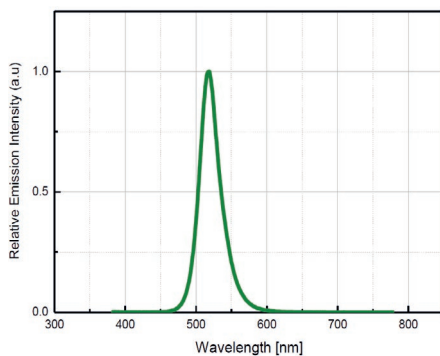
USE ONLY WITH A SAFETY TRANSFORMER / DO NOT PLUG IN SERIES /
 PROTECT THE CONNECTOR WITH INSULATING GEL

PHOTOMETRY

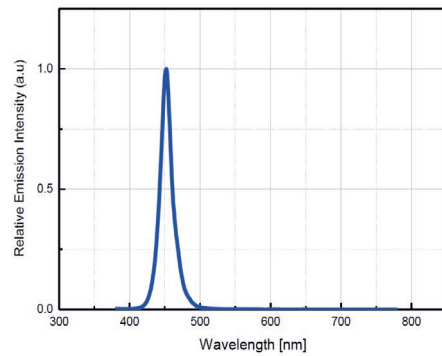
(Measurements performed in laboratory; * measurements made in water immersion)



Wave length : 614/624nm
 Ra (IRC) : N/A
 Diffusion angle : 120°
 Nominal luminous flux : 112 lumens*



Wave length : 520/540nm
 Ra (IRC) : N/A
 Diffusion angle : 120°
 Nominal luminous flux : 320 lumens*



Wave length : 465/485nm
 Ra (IRC) : N/A
 Diffusion angle : 120°
 Nominal luminous flux : 80 lumens*

Maxi luminous flux : 512 lumens

ELECTRICAL PARAMETERS

Max instant power : 16W*
 Stabilized power >1h : N/A
 Power voltage : ~12V(AC) 50/60Hz or ~20V(DC)
 PF max : 0,7 si ~12V(AC)
 PF max : 1 si ~20V(DC)
 Mini power supply ~12V(AC) [(Pi/PF)+20%] : 28VA
 Electrical Class : III
 EEI : N/A

Instant Full Light

Icons: No dimming, No flicker, 120° beam angle

CLASS III III ~12V(AC) ~20V(DC)

OTHER PARAMETERS

Protection index : IP68*
 LED life span : 15 000h
 On/Off cycles : > 100 000
 Use : permanent under water use only

On/Off >100 000

Hg 0,0mg

IP68 1,0m

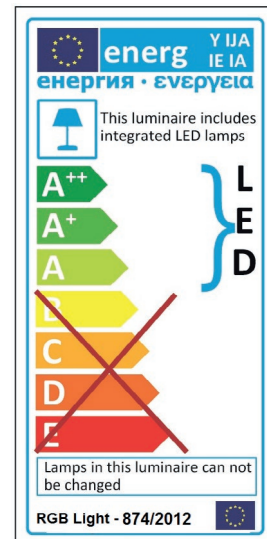
USE ONLY IN OUTDOOR POOL LAMP NOT SUITABLE FOR ACCENT LIGHTING

CERTIFICATION

EMC 2014/30/EU Directive.
 Radio RED 2014/53/EU Directive.
 EN60598-1 / EN60598-2-18 Norm in all its modifications.



Welldana A/S
 Randersvej 6 · DK-6700 Esbjerg
 Phone +45 75 27 23 33
 Fax +45 75 27 21 11
 E-mail: info@welldana.com
 www.welldana.com



«SPECIAL USE LAMP, COLOR CHANGING MODE NOT CONCERNED BY 1194/2012 PERFORMANCE»