

Sauna heater

Concept R black

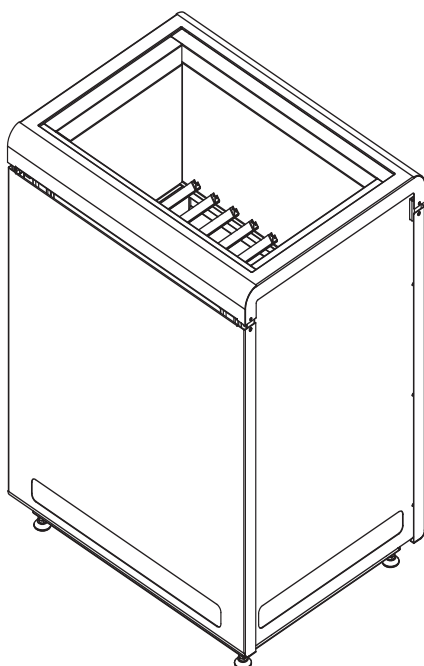
CP-RB-090 / 1-027-768: Concept R 9.0 kW black

CP-RB-105 / 1-027-769: Concept R 10.5 kW black

CP-RB-120 / 1-027-770: Concept R 12.0 kW black

CP-RB-150 / 1-027-771: Concept R 15.0 kW black

INSTRUCTIONS FOR INSTALLATION AND USE English



EN

DE

FR

IT

NL

SV

CS

SL

FI

Table of Contents

1. About this instruction manual	4
2. Important information for your safety	5
2.1. Intended use	5
2.2. Safety information for the installer	5
2.3. Safety information for the user	7
3. Product description	8
3.1. Scope of delivery	8
3.2. Accessories	8
3.3. Product functions	8
4. Installation and connection	9
4.1. Installation location and sensor position	9
4.2. Safety distances	10
4.3. Adjusting the height	11
4.4. Connection diagram for 400 V 3N~	12
4.5. Connection diagram for 230 V 1N~	14
4.6. Wiring diagrams	15
4.7. Electrical connection	17
5. Commissioning	19
5.1. Filling the stone container	19
5.2. Heating for the first time	20
6. Operation	21
6.1. Operating the sauna heater	21
6.2. Infusion	21

7. Maintenance	22
7.1. Extended periods of non-use.....	22
7.2. Cleaning the sauna heater.....	22
7.3. Changing the sauna stones.....	22
8. Disposal	23
9. Problem-solving by the installer	24
10. Technical data	25

1. About this instruction manual

Carefully read these instructions for installation and use, and keep them near the sauna. This ensures that you can refer to information about your safety and the operation at any time.



These installation and operating instructions can also be found in the downloads section of our website: www.sentiotec.com/downloads.

Symbols used for warning notices

In these instructions for installation and use, a warning notice located next to an activity indicates that this activity poses a risk. Always observe the warning notices. This prevents damage to property and injuries, which in the worst case may be fatal.

The warning notices contain keywords, which have the following meanings:



DANGER!

Serious or fatal injury will occur if this warning notice is not observed.



WARNING!

Serious or fatal injury can occur if this warning notice is not observed.



CAUTION!

Minor injuries can occur if this warning notice is not observed.

ATTENTION!

This keyword is a warning that damage to property can occur.

Other symbols



This symbol indicates tips and useful information.



Do not cover



Read the operating instructions

2. Important information for your safety

The Concept R sauna heater has been produced in accordance with the applicable safety rules and regulations. However, hazards may occur during use. Therefore adhere to the following safety information and the specific warning notices in the individual chapters.

2.1. Intended use

The Concept R sauna heater is intended solely for heating sauna cabins, in conjunction with a sauna control unit which does not include a remote start function.

The Concept R sauna heater can also be used with a sauna control unit with a remote start function, but only in conjunction with the optional safety shutdown feature (CP-R-SWL).

The Concept R sauna heater can also be used in public saunas, but only in conjunction with the optional safety shutdown feature (CP-R-SWL).

EN

Any use exceeding this scope is considered improper use. Improper use can result in damage to the product, severe injuries or death.

2.2. Safety information for the installer

- Installing and connecting the sauna heater may only be performed when the power supply is disconnected.
- Installation may only be performed by a qualified electrician or similarly qualified person.
- A fully disconnecting all-pole isolating device compliant with overvoltage category III must be fitted on site.
- Always use silicone cables that are heat-resistant up to 150 °C to connect the sauna heater.

- Only install one sauna heater in the cabin. The Concept R sauna heater must not be used together with other sauna heaters in a sauna cabin.
- The roof and walls of the sauna cabin must be manufactured from low-resin, untreated or thermally treated wood, e.g. Nordic spruce, hemlock, pine or fir, or from laminated wooden materials. If laminated wooden materials are used, make sure that the adhesive used in them does not give off formaldehyde. If other materials than wood are used in the sauna cabin, these materials must be heat-resistant and corrosion-resistant and must not cause any negative effects on the health of the sauna users.
- The height of the sauna cabin must be at least 2.0 m.
- Observe the specifications on volumes and on ventilation of the sauna cabin in chapter **10. Technical data**.
- When positioning the sauna heater, observe the minimum safety distances (see chapter **4.2. Safety distances**).
- Also comply with the regulations applicable at the installation location.
- For your own safety, consult your supplier in the event of problems that are not explained in sufficient detail in the installation instructions.

2.3. Safety information for the user

- The device must not be used by children under 8 years of age.
- The device may only be used by children over 8 years of age, by persons with limited psychological, sensory or mental capabilities or by persons with lack of experience/knowledge under the following conditions:
 - They are supervised.
 - They have been shown how to use the device safely and are aware of the hazards that could occur.
- Children must not play with the device.
- Children under 14 years of age may only clean the device if they are supervised.
- For health reasons, do not use the sauna when under the influence of alcohol, medication or drugs.
- Never operate the sauna heater without sauna stones, as this can cause fires.
- Make sure that no flammable objects have been placed on the sauna heater before the sauna control unit is switched on.
- Heat up the sauna heater for half an hour **BEFORE** using the sauna for the first time. Do **NOT** remain in the sauna cabin during this period. Then ventilate the sauna cabin well (see **5.2. Heating for the first time** on page **20**).
- Never touch the sauna heater while it is operating. The surfaces of the sauna heater and sauna stones become extremely hot.
- For your own safety, consult your supplier in the event of problems that are not described in sufficient detail in the user instructions.

3. Product description

3.1. Scope of delivery

- Sauna heater
- Instructions for installation and use

3.2. Accessories

<i>Accessories</i>	<i>Item number</i>
Safety shut-off	CP-R-SWL
Bracket set for heater railing	CP-R-HSR
LINDEN wooden railing, small (9 – 10.5 kW)	CP-R-L1
LINDEN wooden railing, large (12 – 15 kW)	CP-R-L2
WALNUT wooden railing, small (9 – 10.5 kW)	CP-R-N1
WALNUT wooden railing, large (12 – 15 kW)	CP-R-N2
Emotion railingset LINDEN small (9 - 10,5 kW)	CPR-EMO-L1
Emotion railingset LINDEN large (12 - 15 kW)	CPR-EMO-L2
Emotion railingset WALNUT small (9 - 10.5 kW)	CPR-EMO-N1
Emotion railingset WALNUT large (12 - 15 kW)	CPR-EMO-N2
Power booster	O-S2-18 / O-S2-18S /O-S2-30

3.3. Product functions

The Concept R sauna heater is a Finnish sauna heater and makes it possible to produce a typical Finnish sauna climate of 80 to 100 °C with an air humidity of approximately 10%.

4. Installation and connection

Take the following points into account when positioning and connecting the sauna heater:



WARNING!

Danger of electric shock

- The sauna heater may only be installed and connected when the power supply is disconnected.
-

- The electrical connection may only be performed by a qualified electrician or similarly qualified person.
- A fully disconnecting all-pole isolating device compliant with overvoltage category III must be fitted on site.
- The Concept R sauna heater is a free-standing heater. It does not need to be attached to the floor or sauna wall.
- Do not place the sauna heater on a floor made from an easily flammable material such as wood or plastic. Suitable flooring includes ceramic tiles, for example.

EN

4.1. Installation location and sensor position

Position the heater centrally in front of the air intake opening in the cabin wall. Observe the safety distances to the cabin wall specified in **Fig. 1** and **Fig. 2**.

Install the temperature sensor with excess temperature cut-out to the cabin wall above the centre of the sauna heater. Maintain a distance of 15 cm to the sauna cabin roof.



If there is sufficient ventilation, the Concept R sauna heater can also be set up as a free-standing device. In this case, fit the temperature sensor to the cabin roof above the centre of the heater.

4.2. Safety distances

Observe the minimum safety distances specified in **Fig. 1** and **Fig. 2**.

Fig. 1 Safety distances for Concept R 9 kW and 10.5 kW
(CP-RB-090 / CP-RB-105)
Measurements in mm

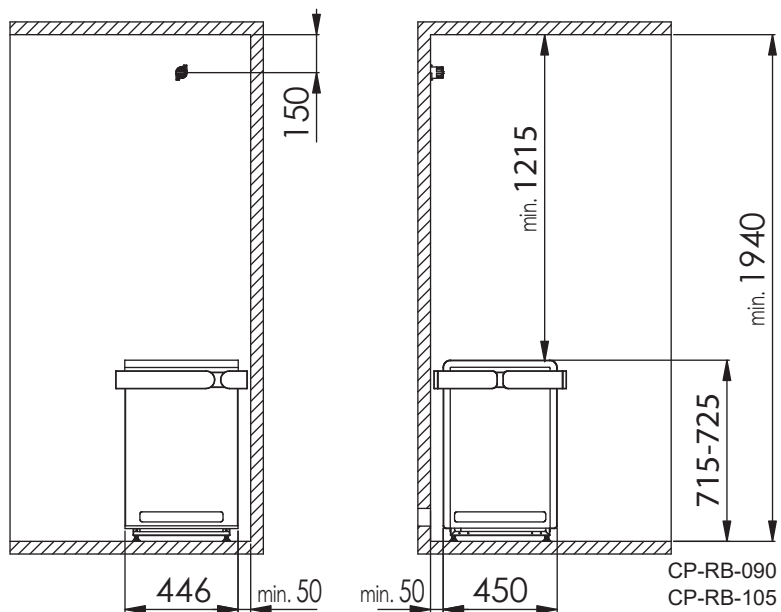
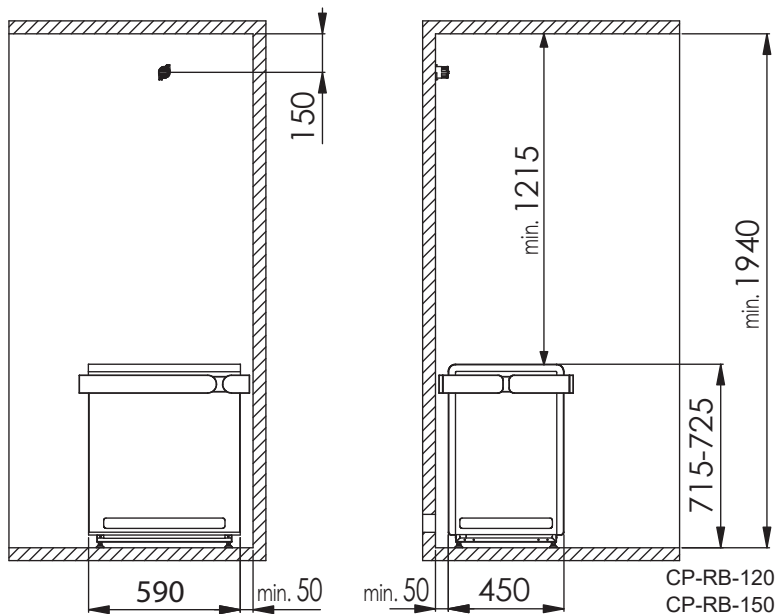


Fig. 2 Safety distances for Concept R 12 kW and 15 kW
(CP-RB-120 / CP-RB-150)
Measurements in mm

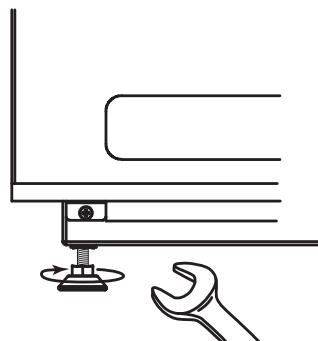


EN

4.3. Adjusting the height

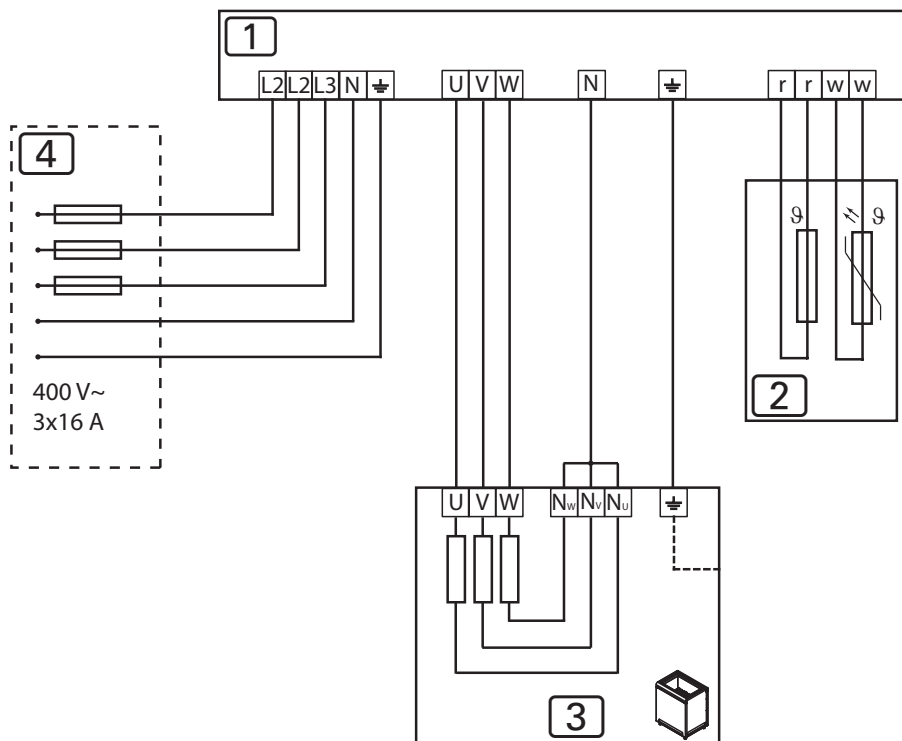
The Concept R sauna heater has height-adjustable feet. The height can therefore be set between 715 mm and 725 mm. Each foot can be set individually, making it possible to adapt the sauna heater to uneven floors.

1. Loosen the sauna heater foot using an open-ended spanner (13 mm).
2. Lift the sauna heater slightly and turn the foot to the right to reduce the height. Turn to the left to increase the height.
3. Retighten the foot using the open-ended spanner.



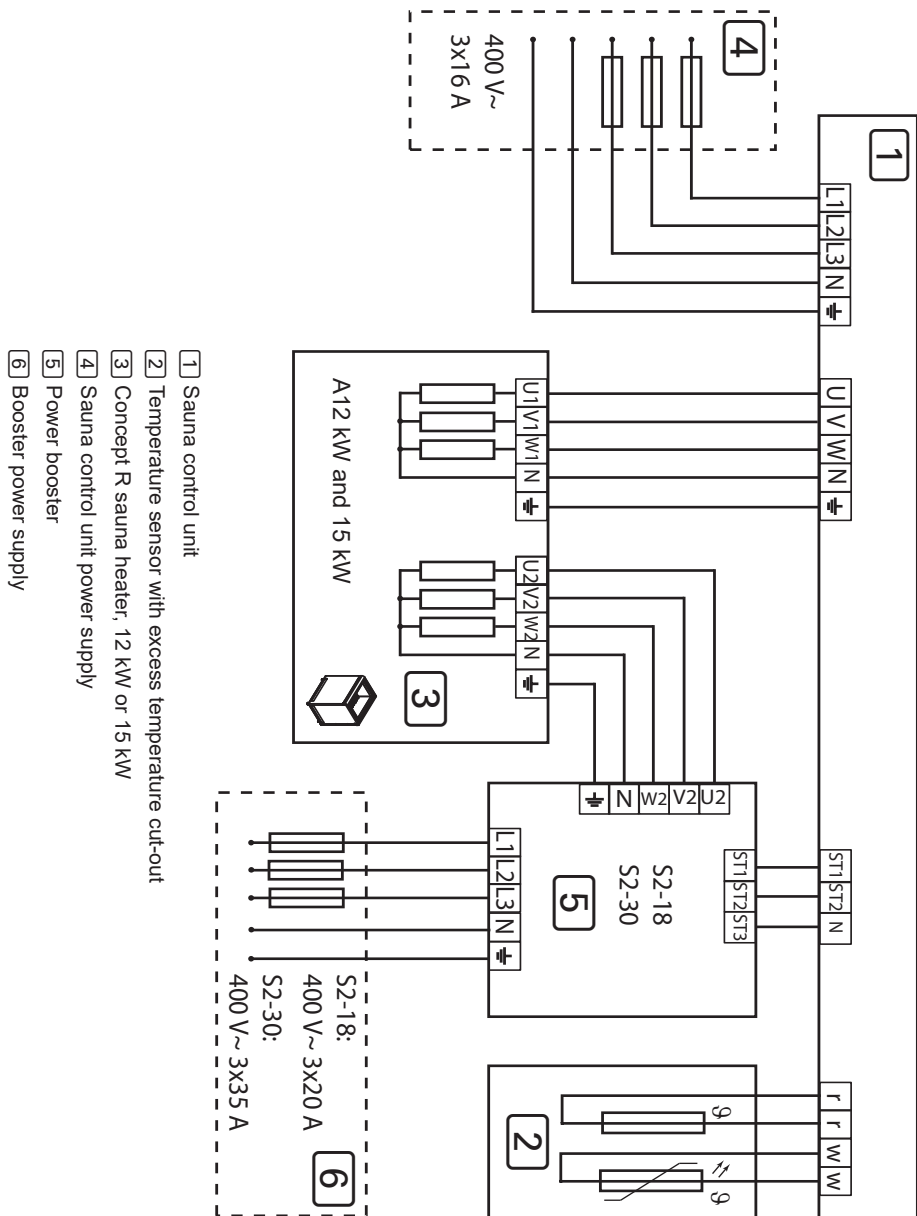
4.4. Connection diagram for 400 V 3N~

Fig. 3 Connection diagram for Concept R 9 kW and 10.5 kW (CP-RB-090 / CP-RB-105)



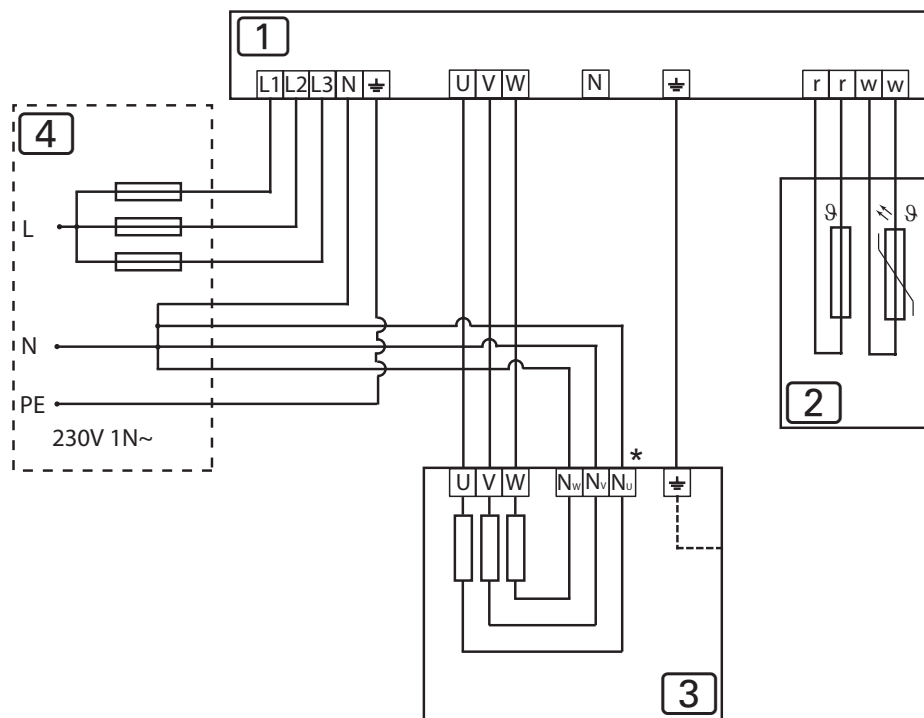
- 1 Sauna control unit
- 2 Temperature sensor with excess temperature cut-out
- 3 Sauna heater, 9 kW or 10.5 kW
- 4 Power supply

Fig. 4 Connection diagram for Concept R 12 kW and 15 kW (CP-RB-120 / CP-RB-150)



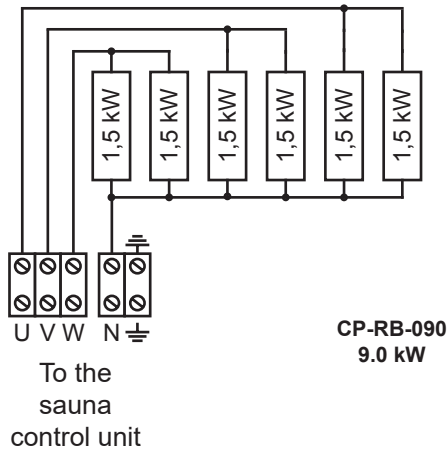
4.5. Connection diagram for 230 V 1N~

Fig. 5 Connection diagram for Concept R 9 kW and 10.5 kW (CP-RB-090 / CP-RB-105)

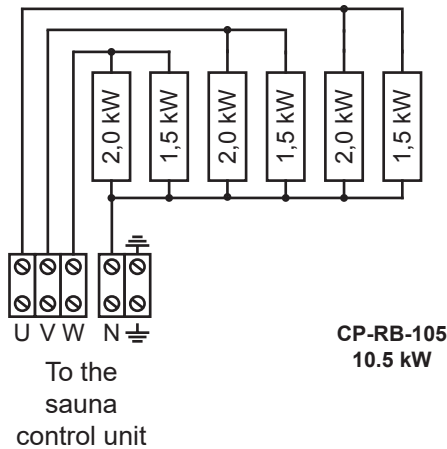


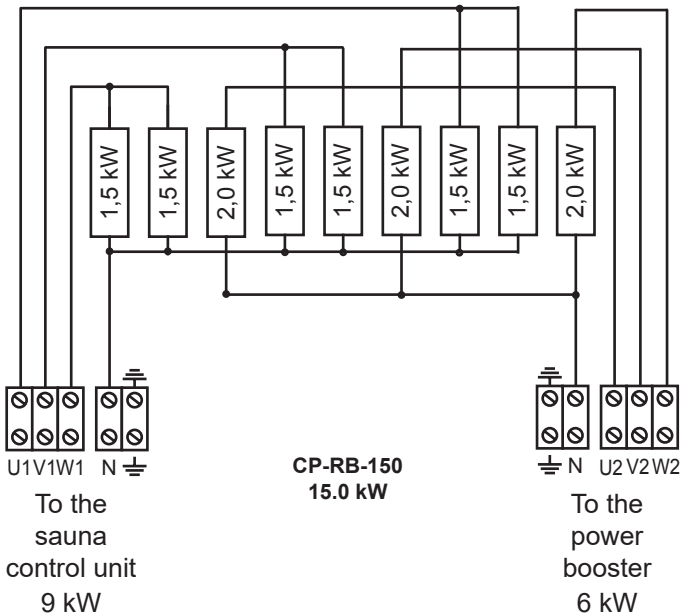
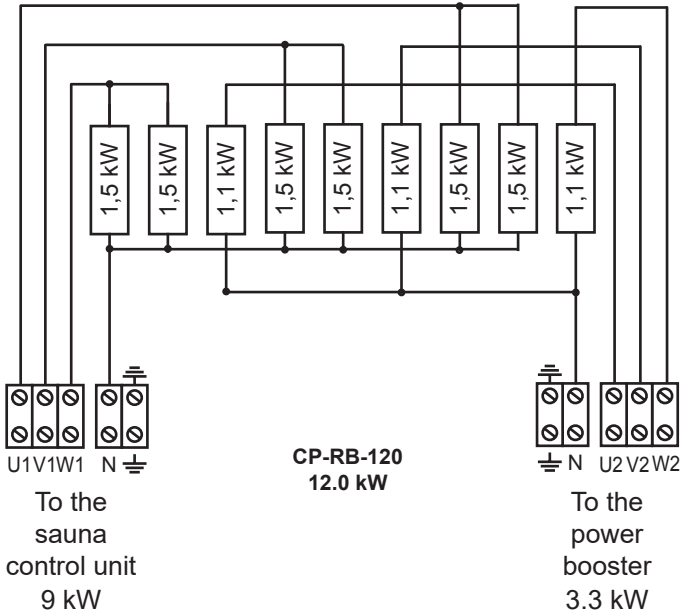
- 1 Sauna control unit
- 2 Temperature sensor with excess temperature cut-out
- 3 Sauna heater, 9 kW or 10.5 kW
- 4 Power supply
- * Remove the copper bridge

4.6. Wiring diagrams



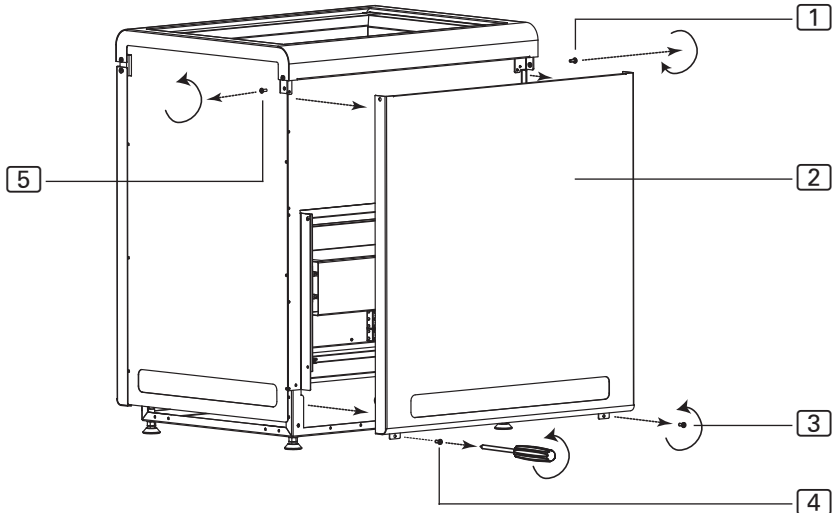
EN





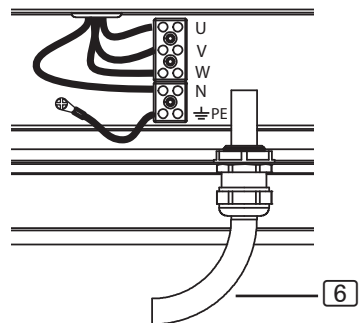
4.7. Electrical connection

1. Unscrew the screws **3** and **4** with a screwdriver.
2. Unscrew the screws **1** and **5** with a screwdriver.
3. Remove the cover plate **2**.



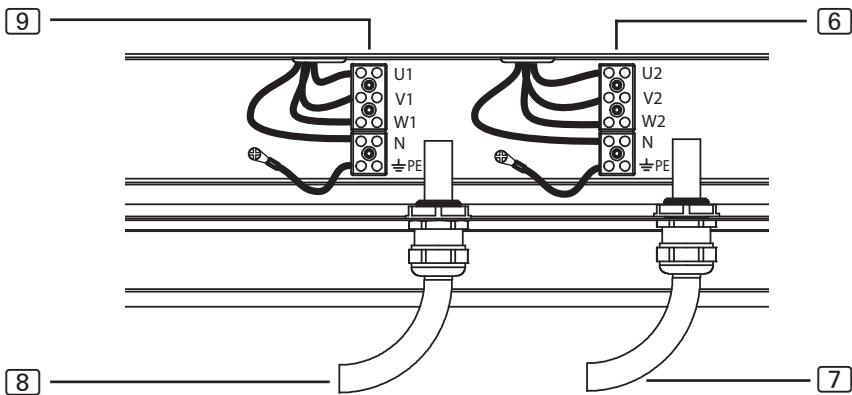
Connection of Concept R 9 kW and 10.5 kW (CP-RB-090 / CP-RB-105)

1. Guide the connection cable through the feed-through **6**.
2. Connect the connectors of the connection cable to the U – V – W – N – PE terminals of the sauna heater and to the applicable sauna control unit terminals. Observe the installation instructions for the sauna control unit when doing so.
3. Reattach the cover panel **2** to the heater.



**Connection of Concept R 12 kW and 15 kW
(CP-RB-120 / CP-RB-150)**

1. Guide the connection cable for the sauna control unit through the feed-through [8].
2. Connect the connectors of this connection cable to the U1 – V1 – W1 – N – PE terminals on the connector block [9] and to the applicable sauna control unit terminals. Observe the installation instructions for the sauna control unit when doing so.
3. Guide the booster cable through the feed-through [7].
4. Connect the connectors of the booster cable to the U2 – V2 – W2 – N – PE terminals on the connector block [6] and to the applicable booster terminals. Observe the installation instructions of the booster when doing so.
5. Reattach the cover panel [2] to the heater.



- [6] Connector block for the booster
- [7] Feed-through for the booster cable
- [8] Connector block for the sauna control unit
- [9] Feed-through for the connection cable for the sauna control unit

5. Commissioning

5.1. Filling the stone container

**WARNING!*****Risk of fire due to overheating***

If the sauna heater is used without sauna stones, the cabin walls will become extremely hot. This could cause fires.

- NEVER operate the sauna heater without the sauna stones.
-

The amount of stones suited to your heater output can be found in chapter **10. Technical data** (see page **25**).

1. Wash the stones thoroughly using water and a brush before use. Do not use any cleaning additives.
2. Before filling the heater with the sauna stones, check them for foreign objects and remove any remaining packaging.
3. Place the stones in the stone container. Stack the sauna stones loosely so that air can flow through the gaps.
4. Make sure that the sauna stones do not protrude beyond the edge of the stone container.

5.2. Heating for the first time



CAUTION!

Formation of smoke and odours when heating up for the first time

Materials used during the manufacturing process will be present on the new heating elements. These evaporate when the sauna heater is heated up for the first time. This produces smoke and an unpleasant odour. Breathing in the fumes or smoke can be harmful to your health.

Perform the following steps when **operating the sauna heater for the first time** and if the **heating elements for the sauna heater have been replaced**. This prevents damage to health due to the fumes and smoke produced when heating for the first time.

1. Select the highest possible temperature on the sauna control unit.
2. Heat up the sauna heater for half an hour.
Do NOT remain in the sauna cabin during this period.
3. Allow the sauna cabin to ventilate thoroughly after heating for the first time.
4. If no smoke or odours form the next time the sauna heater is heated, you can start to use the sauna.
If smoke or odour is produced again, leave the sauna cabin immediately and repeat the initial heating up process followed by ventilation.

6. Operation



WARNING!

Risk of fire

Combustible objects that are placed on the heater will ignite and cause fires.

- NEVER place combustible objects on the sauna heater.
- Make sure that NO flammable objects have been placed on the heater before operating it.

6.1. Operating the sauna heater

A sauna control unit is used to operate the sauna heater. For information on how to operate the sauna control unit, read the operating instructions for the device used. Please note that only sauna control units without a remote start function are permitted for use with the Concept R sauna heater.



With the optional safety shutdown feature (CP-R-SWL), the Concept R sauna heater is also suitable for sauna control units WITH a remote start function.

EN

6.2. Infusion

At the end of the sauna session, you can pour an infusion of water over the stones. Pour water over the stones using a sauna ladle. The water evaporates and the humidity in the sauna cabin increases.

When pouring water over the stones, observe the following points:

- Only use tap water. Sea water, hard water and chlorinated water can damage the sauna heater.
- Only use fragrances and essential oils that are suitable for use in saunas. Follow the manufacturer's instructions on the packaging of the scented substance.
- Do not pour the water onto the stones too quickly. Only this way will all the water evaporate completely.

7. Maintenance

7.1. Extended periods of non-use

Moisture can accumulate in the heating rods in humid ambient conditions or during long periods of non-use. This is a physical process and not a manufacturing fault. Accumulation of moisture in the heating rods can lead to the FI circuit breaker being triggered. In this case, contact an electrician to correct the fault (see chapter 9. **Problem-solving by the installer**).



Heat the sauna heater for approximately 15 minutes every 5 to 6 weeks. This prevents moisture from building up on the heating rods during extended periods of non-use.

7.2. Cleaning the sauna heater

Make sure that the ventilation openings are free of lint and dust. This prevents the air circulation in the sauna heater from being restricted and prevents the device from overheating.

7.3. Changing the sauna stones

Sauna stones are subject to stress by the water poured on them, and by large fluctuations in temperature which occur during use. The sauna stones can become weak and brittle.

Check the sauna stones at regular intervals and replace the stones at least once a year.



WARNING!

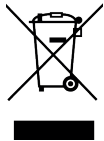
Risk of fire due to overheating

If the sauna heater is used without sauna stones, the cabin walls will become extremely hot. This could cause fires.

- NEVER operate the sauna heater without the sauna stones.
-

1. Remove the old sauna stones.
2. Clear the stone container of limescale deposits, dust and other contamination.
3. Wash the stones thoroughly using water and a brush before use. Do not use any cleaning additives.
4. Before filling the heater with the sauna stones, check them for foreign objects and remove any remaining packaging.
5. Place the stones in the stone container. Stack the sauna stones loosely so that air can flow through the gaps.
6. Make sure that the sauna stones do not protrude beyond the edge of the stone container.

8. Disposal



- Please dispose of packaging materials in accordance with the applicable disposal regulations.
- Used appliances contain reusable materials as well as hazardous substances. Therefore, do not dispose of your used appliance with household waste, but rather do so in accordance with the locally applicable regulations.

9. Problem-solving by the installer

Baking out of the heating rods

Moisture can accumulate in the heating rods in humid ambient conditions or during long periods of non-use. This is a physical process and not a manufacturing fault. Under certain circumstances, accumulation of moisture in the heating rods can lead to the FI circuit breaker being triggered.

In this case, it is necessary to bake out the sauna heater under the supervision of an electrician. To do this, the protective function of the FI circuit breaker must be switched off. The baking out procedure takes approximately 10 minutes. The safety function of the FI circuit breaker must subsequently be reactivated.

If the problem persists, consult your supplier.

10. Technical data

The dimensions of the various power rating versions can be found in **Fig. 6** and **Fig. 7** on page **26**.

<i>Item number</i>	<i>Power rating [kW]</i>	<i>Cabin volume [m³]</i>	<i>Minimum size of ventilation opening [mm]</i>	<i>Weight without stones [kg]</i>
CP-RB-090	9.0	9 – 14	350 x 50	34
CP-RB-105	10.5	10 – 15	350 x 60	34
CP-RB-120	12.0	14 – 18	350 x 70	40
CP-RB-150	15.0	18 – 25	350 x 90	40

<i>Item number</i>	<i>Stone weight [kg]</i>	<i>Fuse [A]</i>	<i>Supply voltage</i>
CP-RB-090	approx. 25	3 x 16	400 V AC 3N~ 50/60 Hz 230 V AC 1N~ 50/60 Hz
CP-RB-105	approx. 25	3 x 16	400 V AC 3N~ 50/60 Hz 230 V AC 1N~ 50/60 Hz
CP-RB-120	approx. 35	3 x 16 / 3 x 10	400 V AC 3N~ 50/60 Hz
CP-RB-150	approx. 35	3 x 16 / 3 x 10	400 V AC 3N~ 50/60 Hz

<i>Item number</i>	<i>Heating rods</i>
CP-RB-090	6 x SCA150 (1-028-518)
CP-RB-105	3 x SCA150 (1-028-518) / 3 x SCA200 (1-028-503)
CP-RB-120	6 x SCA150 (1-028-518) / 3 x CPRM115 (1-043-621)
CP-RB-150	6 x SCA150 (1-028-518) / 3 x SCA200 (1-028-503)

Fig. 6 Dimensions of Concept R 9 kW and 10.5 kW
(CP-RB-090 / CP-RB-105)
Measurements in mm

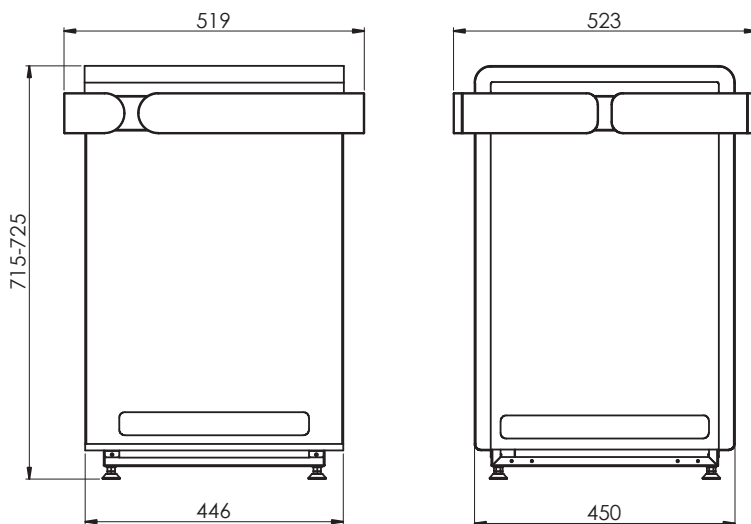
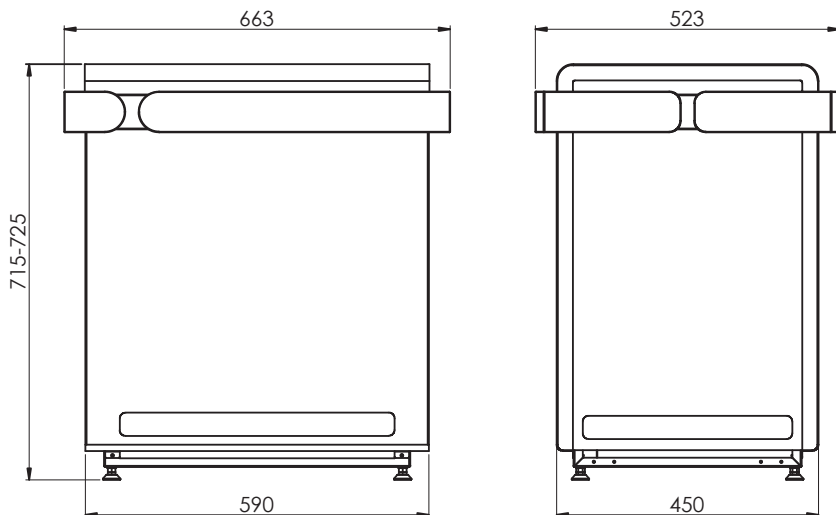


Fig. 7 Dimensions of Concept R 12 kW and 15 kW
(CP-RB-120 / CP-RB-150)
Measurements in mm



Bastuaggregat

Concept R black

CP-RB-090/1-027-768: Concept R 9,0 kW black

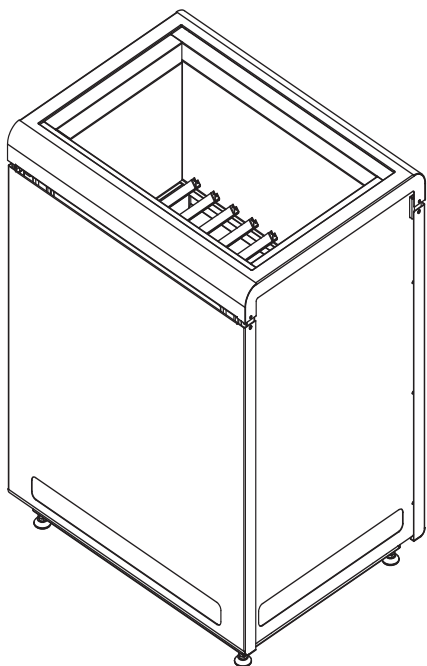
CP-RB-105/1-027-769: Concept R 10,5 kW black

CP-RB-120/1-027-770: Concept R 12,0 kW black

CP-RB-150/1-027-771: Concept R 15,0 kW black

MONTERINGS- OCH BRUKSANVISNING

Svenska



SV

Innehållsförteckning

1. Om monterings- och bruksanvisningen	4
2. Viktig säkerhetsinformation	5
2.1. Ändamålsenlig användning	5
2.2. Säkerhetsanvisningar för installatören	5
2.3. Säkerhetsanvisningar för användaren	7
3. Produktbeskrivning	8
3.1. Leveransomfattning	8
3.2. Tillbehör	8
3.3. Funktioner	8
4. Installation och anslutning	9
4.1. Uppställningsplats och givarposition	9
4.2. Säkerhetsavstånd	10
4.3. Höjdjustering	11
4.4. Kopplingsschema för 400 V 3N~	12
4.5. Kopplingsschema för 230V 1N~	14
4.6. Elscheman	15
4.7. Elanslutning	17
5. Driftstart	19
5.1. Fylla på stenkorgen	19
5.2. Den första uppvärmningen	20
6. Användning	21
6.1. Användning	21
6.2. Hälla vatten på stenarna	21

7. Underhåll	22
7.1. Längre användningsuppehåll.....	22
7.2. Rengöring av bastuaggregatet.....	22
7.3. Byta bastustenar.....	22
8. Avfallshantering	23
9. Felavhjälpning utförd av installatören	24
10. Tekniska data	25

1. Om monterings- och bruksanvisningen

Läs hela monterings- och bruksanvisningen noga och förvara den sedan i närheten av bastun. Du kan då när som helst läsa de specifika säkerhets- och användningsanvisningarna.



Den här monterings- och bruksanvisningen kan även laddas ner från vår webbsida, www.sentiotec.com/downloads.

Symboler och varningar

I den här monterings- och bruksanvisningen används olika varningssymboler vid avsnitt som beskriver situationer som kan medföra fara eller risker av olika slag. Dessa varningar ska alltid beaktas. På så sätt undviker man sakskador och personskador, som i värsta fall kan ha dödlig utgång.

Följande signalord används:



FARA!

Om de här varningarna/anvisningarna inte följs leder det till allvarliga eller livsfarliga skador.



VARNING!

Om de här varningarna/anvisningarna inte följs kan det leda till allvarliga eller livsfarliga skador.



FÖRSIKTIGHET!

Om de här varningarna/anvisningarna inte följs kan det leda till lindriga skador.

OBS!

Varnar för sakskador.

Övriga symboler



Används vid tips och nyttig information.



Täck inte över!



Läs bruksanvisningen

2. Viktig säkerhetsinformation

Bastuaggregatet Concept R har konstruerats och tillverkats enligt vedertagna säkerhetstekniska regler. Det kan ändå uppstå vissa risker under användningen. Följ alltid nedanstående säkerhetsanvisningar och observera de särskilda varningarna i resp. kapitel.

2.1. Ändamålsenlig användning

Bastuaggregatet Concept R är endast avsett att användas för uppvärmning av basturum i kombination med en styrenhet utan fjärrstart.

Bastuaggregatet Concept R får endast användas tillsammans med en styrenhet med fjärrstartfunktion om det samtidigt installeras en anordning för säkerhetsavstängning (CP-R-SWL).

Bastuaggregatet Concept R får endast användas i allmänna bastur när det kombineras med säkerhetsavstängningen (CP-R-SWL), som kan beställas som tillval.

All annan användning betraktas som ej ändamålsenlig. Ej ändamålsenlig användning kan leda till skador på produkten och innebära risk för allvarliga eller livsfarliga skador.

2.2. Säkerhetsanvisningar för installatören

- Bastuaggregatet får endast installeras och anslutas i spänningslöst tillstånd.
- Montering/installation får endast utföras av elektriker.
- På plats ska en allpolig fränkskiljare med komplett avstängning enligt överspänningskategori III installeras.
- Använd endast silikonkablar med värmetålighet upp till 150 °C för anslutning av bastuaggregatet.

- Installera endast ett bastuaggregat i varje basturum. Bastuaggregatet Concept R får inte användas i ett basturum tillsammans med andra bastuaggregat.
- Bastuns väggar och tak ska vara tillverkade av obehandlat eller termiskt behandlat trä med låg hartshalt, t.ex. nordisk gran, hemlock, tall eller ädelgran, eller av flerskikts träskivor. Om flerskikts träskivor används får limmet inte innehålla formaldehyd. Om andra material än trä används i bastun måste de vara värme- och korrosionsbeständiga och får inte utgöra någon hälsorisk för bastubadarna.
- Basturummet ska ha minst 2,0 meters takhöjd.
- Beakta uppgifterna om volym och ventilation av basturummet i kapitel **10. Tekniska data**.
- Observera min. avstånden vid installation av bastuaggregatet (se kapitel **4.2. Säkerhetsavstånd**).
- Följ gällande lokala bestämmelser.
- Om det uppstår problem som inte beskrivs tillräckligt detaljerat i monteringsanvisningarna, vänd dig, för din egen säkerhets skull, till leverantören/återförsäljaren.

2.3. Säkerhetsanvisningar för användaren

- Barn under 8 år får inte använda utrustningen.
- Under följande förutsättningar får utrustningen användas av barn över 8 år, av personer med nedsatt psykisk, sensorisk eller mental förmåga och av personer som saknar erfarenhet och kunskap om liknande utrustningar:
 - under uppsikt.
 - när de har instruerats om säker användning och känner till vilka risker som kan uppstå.
- Utrustningen är ingen leksak. Barn får inte leka med den.
- Barn under 14 år får endast rengöra utrustningen under uppsikt.
- Av hälsoskäl bör man inte bada bastu när man är påverkad av alkohol, läkemedel eller droger.
- Använd aldrig bastuaggregatet utan bastustenar – det kan medföra brandrisk.
- Kontrollera att det inte finns några brännbara föremål på bastuaggregatet innan styrenheten slås på.
- Värm upp bastuaggregatet en halvtimme INNAN du ska använda bastun för första gången. Vistas INTE i basturummet under denna tid. Vädra därefter basturummet ordentligt (se **5.2. Den första uppvärmningen** på sidan **20**).
- Vidrör aldrig bastuaggregatet när det är igång. Bastuaggregatets yta och bastustenarna blir mycket varma.
- Om det uppstår problem som inte beskrivs tillräckligt detaljerat i bruksanvisningen, vänd dig, för din egen säkerhets skull, till leverantören/återförsäljaren.

3. Produktbeskrivning

3.1. Leveransomfattning

- Bastuaggregat
- Monterings- och bruksanvisning

3.2. Tillbehör

<i>Tillbehör</i>	<i>Artikelnummer</i>
Säkerhetsavstängning	CP-R-SWL
Hållarsats för aggregatslist	CP-R-HSR
LIND trälist liten (9–10,5 kW)	CP-R-L1
LIND trälist stor (12–15 kW)	CP-R-L2
VALNÖT trälist liten (9–10,5 kW)	CP-R-N1
VALNÖT trälist stor (12–15 kW)	CP-R-N2
Emotion set trälist LIND liten (9–10,5 kW)	CPR-EMO-L1
Emotion set trälist LIND stor (12–15 kW)	CPR-EMO-L2
Emotion set trälist VALNÖT liten (9–10,5 kW)	CPR-EMO-N1
Emotion set trälist VALNÖT stor (12–15 kW)	CPR-EMO-N2
Effektförstärkare	O-S2-18 / O-S2-18S / O-S2-30

3.3. Funktioner

Bastuaggregatet Concept R är ett finsk bastuaggregat som skapar ett typiskt, finskt bastuklimat med en temperatur på 80 till 100 °C och en luftfuktighet på ca 10 %.

4. Installation och anslutning

Observera följande punkter vid installation och anslutning av bastuaggregatet:



VARNING!

Risk för elektriska stötar

- Montering/installation och anslutning av bastuaggregatet får endast göras i spänningslöst tillstånd.
-

- Elanslutningarna får endast utföras av utbildad elektriker.
- På plats ska en allpolig fränskiljare med komplett avstängning enligt över-spänningskategori III installeras.
- Bastuaggregatet Concept R är ett fristående aggregat. Det behöver inte monteras fast på golvet eller på väggen.
- Placera inte bastuaggregatet på ett golv av lätt brännbart material som t.ex. trä eller plast. Lämplig golvbeläggning är t.ex. keramiklinkers.

4.1. Uppställningsplats och givarposition

Ställ upp aggregatet mitt framför luftintaget på bastuväggen. Se till att de mini-miavstånd, som anges på **Bild 1** och **Bild 2** till bastuväggen hålls.

Montera temperaturgivaren med övertemperaturskydd på bastuväggen över bastuaggregatets mitt. Avståndet till bastuns tak ska vara 15 cm.



Förutsatt att det finns tillräcklig ventilation i basturummet kan bastuaggregatet Concept R även installeras fristående. Då ska temperaturgivaren installeras i taket över aggregatets mitt.

4.2. Säkerhetsavstånd

Beakta minimiavstånden som anges på **Bild 1** och **Bild 2**.

Bild 1 Säkerhetsavstånd för Concept R 9 kW och 10,5 kW
(CP-RB-090/CP-RB-105)
mått i mm

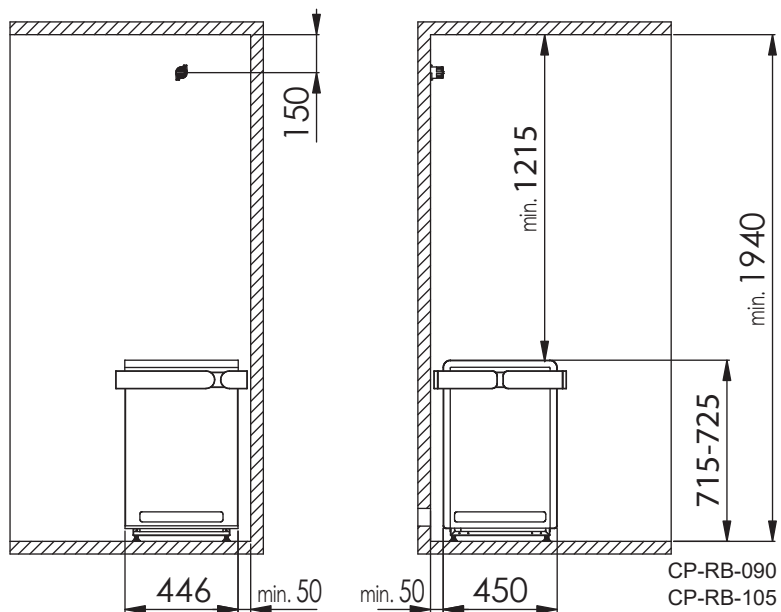
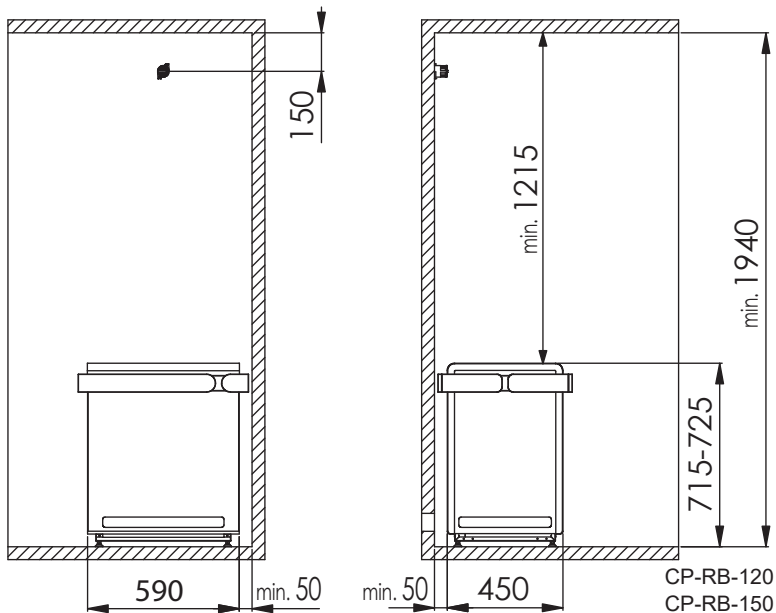


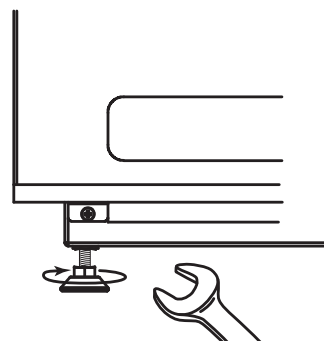
Bild 2 Säkerhetsavstånd för Concept R 12 kW och 15 kW
(CP-RB-120/CP-RB-150)
mått i mm



4.3. Höjdjustering

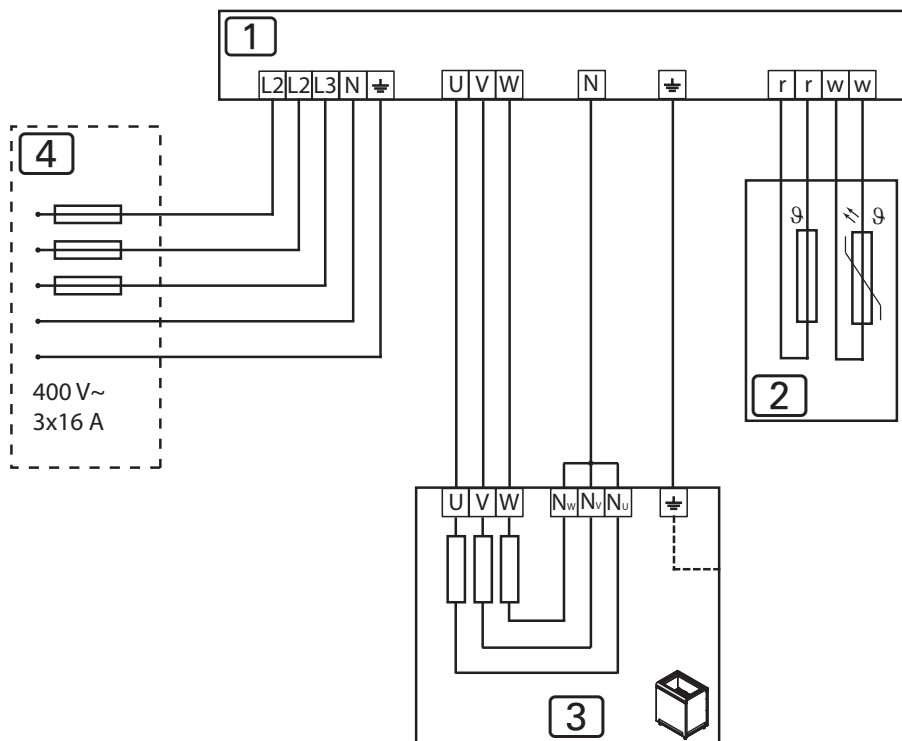
Bastuaggregatet Concept R har höjdjusterbara fötter. Bastuaggregatets höjd kan ställas in mellan 715 mm och 725 mm. Eftersom alla fötter kan justeras oberoende av varandra kan aggregatet även anpassas till ett ojämnt golv.

1. Lossa bastuaggregatets fot med en U-nyckel (13 mm).
2. Lyft bastuaggregatet något och vrid foten åt höger för att reducera höjden. Vrid åt vänster för att höja aggregatet.
3. Dra åt foten med U-nyckeln igen.



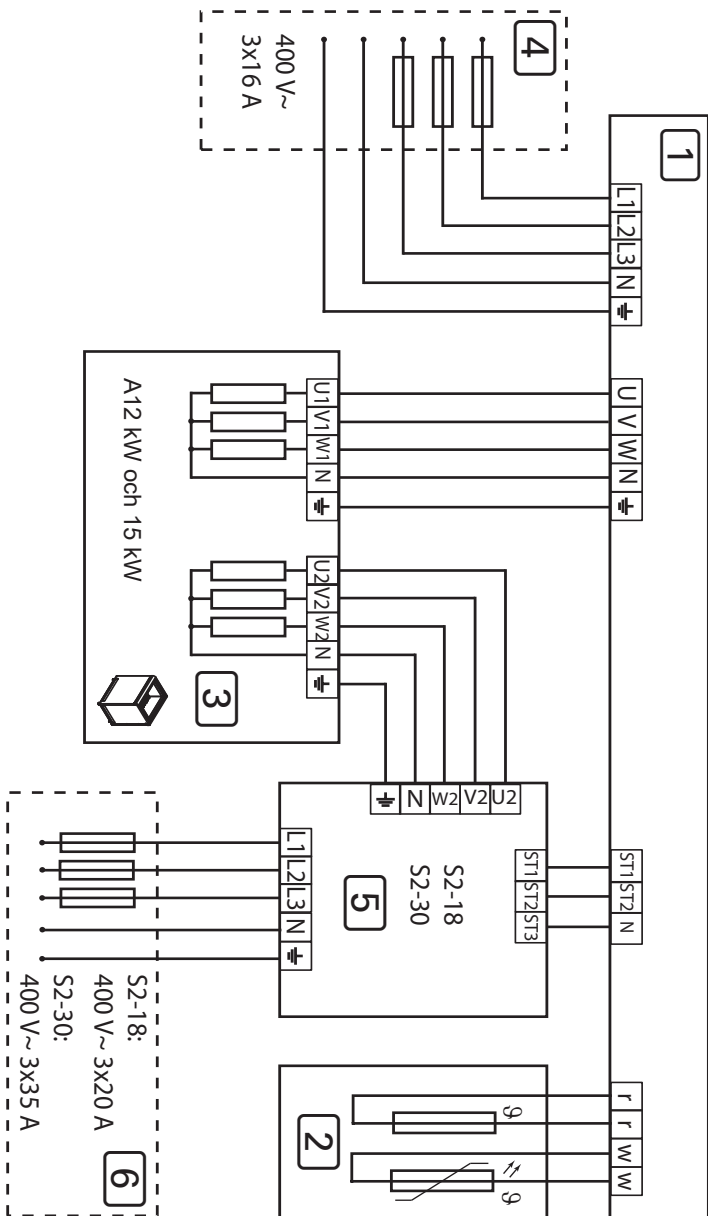
4.4. Kopplingschema för 400 V 3N~

Bild 3 Kopplingschema för Concept R 9 kW och 10,5 kW
(CP-RB-090/CP-RB-105)



- 1 Styrenhet
- 2 Temperaturgivare med övertemperaturskydd
- 3 Bastuaggregat 9 kW eller 10,5 kW
- 4 Strömförsörjning

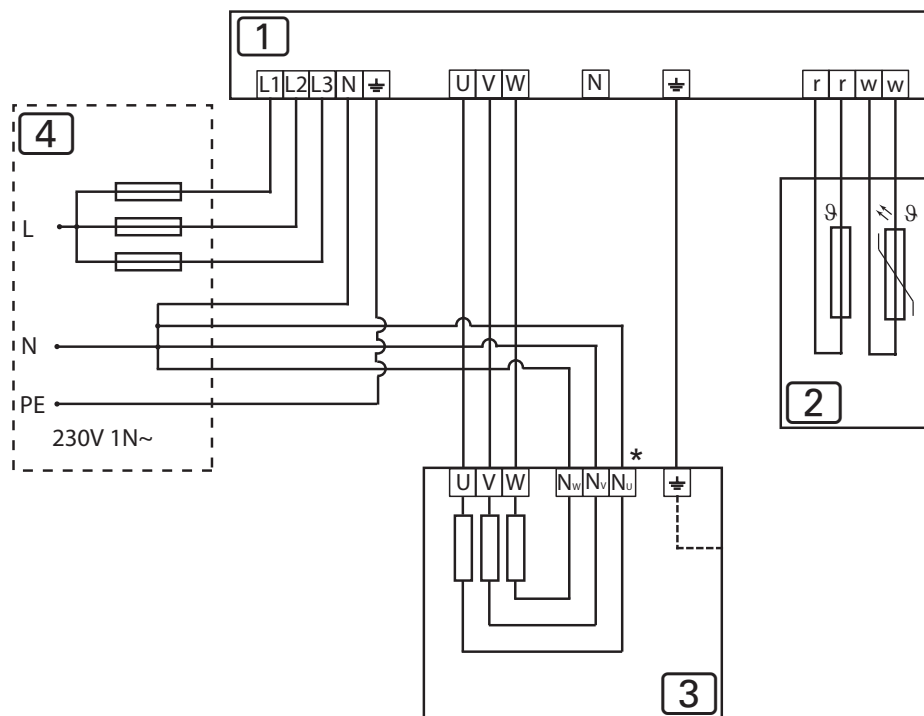
Bild 4 Kopplingschema för Concept R 12 kW och 15 kW
(CP-RB-120/CP-RB-150)



- 1 Styrenhet
- 2 Temperaturgivare med övertemperaturskydd
- 3 Bastuaggregat Concept R 12 kW eller 15 kW
- 4 Strömförsörjning för styrenheten
- 5 Effektförstärkare
- 6 Strömförsörjning för effektförstärkare

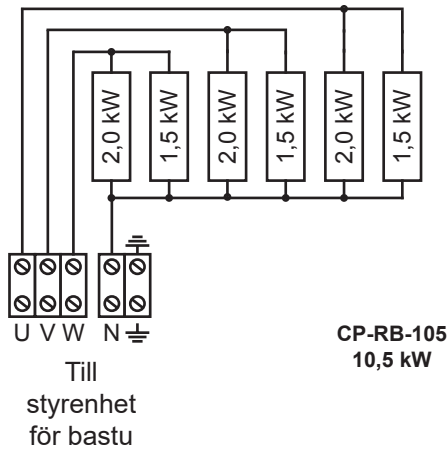
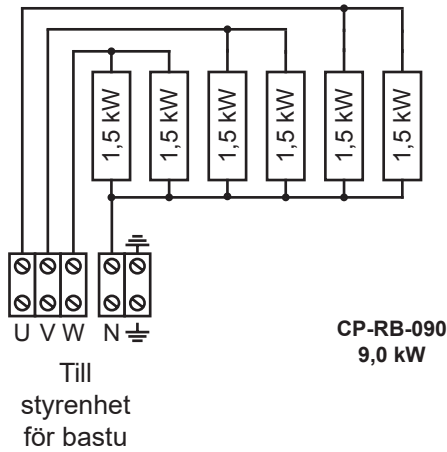
4.5. Kopplingschema för 230V 1N~

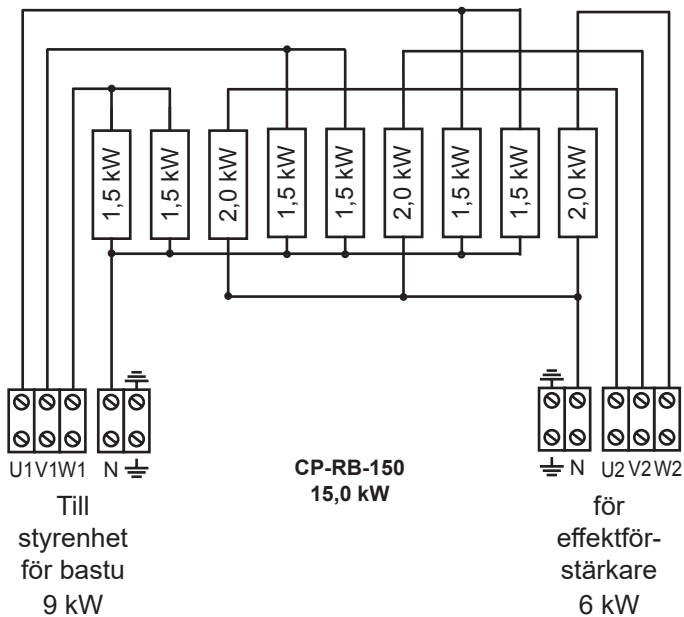
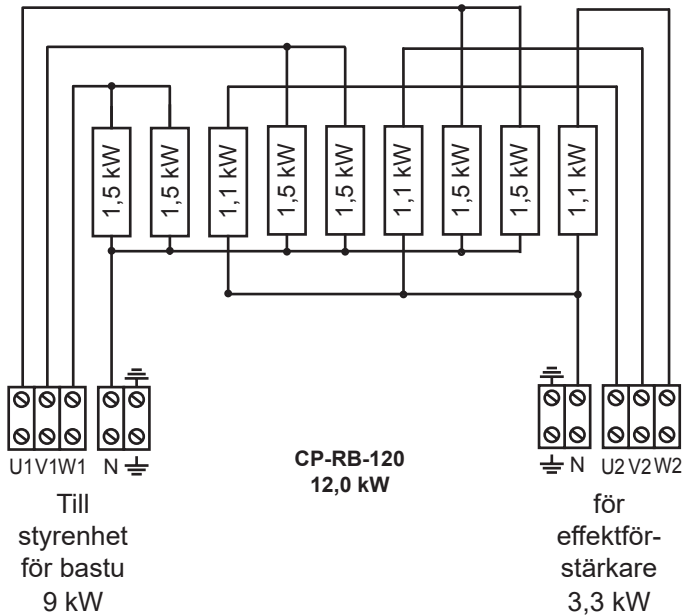
Bild 5 Kopplingschema för Concept R 9 kW och 10,5 kW
(CP-RB-090/CP-RB-105)



- 1 Styrenhet
- 2 Temperaturgivare med övertemperaturskydd
- 3 Bastuaggregat 9 kW eller 10,5 kW
- 4 Strömförsörjning
- * Borttagning av kopparbryggan

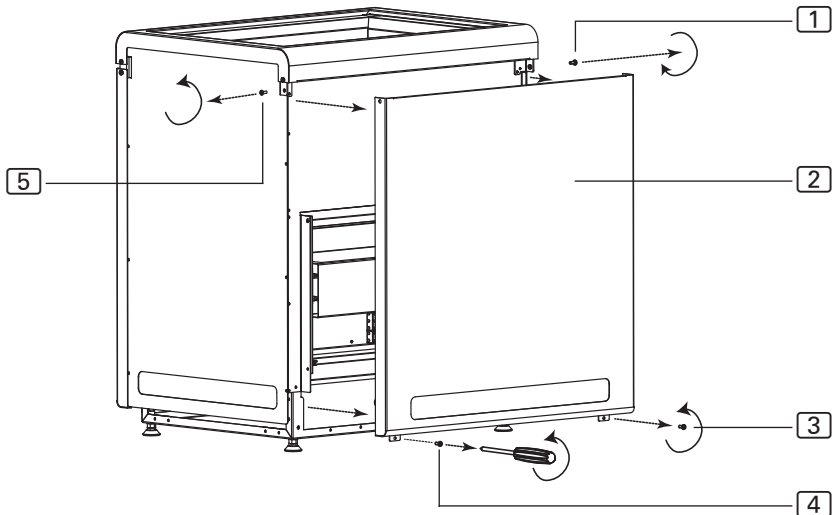
4.6. Elschema





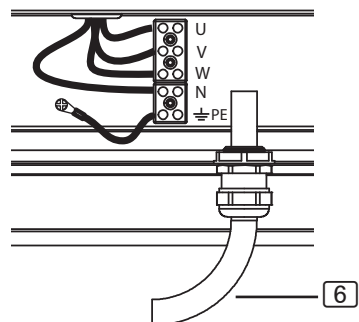
4.7. Elanslutning

1. Skruva loss skruvarna **3** och **4** med en skruvmejsel.
2. Skruva loss skruvarna **1** och **5** med en skruvmejsel.
3. Ta bort täckplåten **2**.



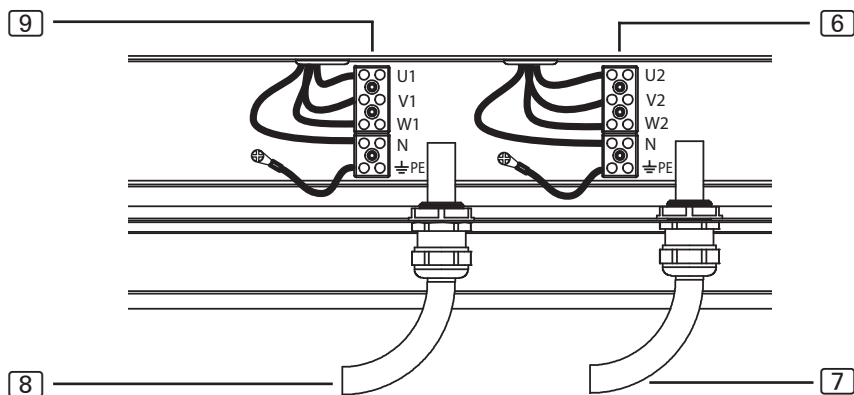
Anslutning Concept R 9 kW och 10,5 kW (CP-RB-090/CP-RB-105)

1. Dra anslutningskabeln genom genomföringen **6**.
2. Anslut anslutningskabelns ledare till anslutningarna U – V – W – N – PE på bastuaggregatet och till passande anslutningar på styrenheten. Läs installationsanvisningarna för styrenheten.
3. Montera täckplåten **2** på bastuaggregatet igen.



**Anslutning Concept R 12 kW och 15 kW
(CP-RB-120/CP-RB-150)**

1. Dra styrenhetens anslutningskabel genom genomföringen [8].
2. Anslut den här anslutningskabelns ledare till anslutningarna U1 – V1 – W1 – N – PE på anslutningslisten [9] och till passande anslutningar på styrenheten. Läs installationsanvisningarna för styrenheten.
3. Dra effektförstärkarens kabel genom genomföringen [7].
4. Anslut den här anslutningskabelns ledare till anslutningarna U2 – V2 – W2 – N – PE på anslutningslisten [6] och till passande anslutningar på effektförstärkaren. Läs installationsanvisningarna för effektförstärkaren.
5. Montera täckplåten [2] på bastuaggregatet igen.



- [6] Effektförstärkarens anslutningslist
- [7] Genomföring för effektförstärkarens kabel
- [8] Styrenhetens anslutningslist
- [9] Genomföring för styrenhetens anslutningskabel

5. Driftstart

5.1. Fylla på stenkorgen

**WARNING!*****Brandrisk på grund av överhettning***

Om bastuaggregatet används utan bastustenar blir bastuns väggar mycket varma. Detta kan orsaka eldsvåda.

- Använd INTE bastuaggregatet utan bastustenar.

Passande mängd stenar för resp. effekt anges i kapitel **10. Tekniska data** (se sidan **25**).

1. Rengör först bastustenarna noga med vatten och en borste. Använd inga rengöringsmedel.
2. Kontrollera om det finns främmande partiklar på stenarna och ta bort alla förpackningsrester innan de läggs in i bastuaggregatet.
3. Lägg bastustenarna i stenkorgen. Lägg i bastustenarna löst på varandra så att luften kan cirkulera mellan dem.
4. Se till att stenarna inte sticker ut ovanför stenkorgens kant.

5.2. Den första uppvärmningen

**AKTA!*****Rök- och luktutveckling vid den första uppvärmningen***

På nya värmestavar finns det rester från tillverkningsprocessen. Dessa bryts ner när bastuaggregatet värms upp för första gången. När detta sker bildas det rök och en obehaglig lukt. Inandning av röken och ångorna utgör en hälsofara.

Följ nedanstående anvisningar när du använder bastuaggregatet **för första gången** och när **värmestavarna i bastuaggregatet har bytts ut**. På det här sättet kan du undvika skadliga effekter av ångorna och röken som bildas vid den första uppvärmningen.

1. Välj den högsta möjliga temperaturen på styrenheten till bastun.
2. Värm upp bastuaggregatet under en halvtimme.
Vistas INTE i basturummet under denna tid.
3. Vädra bastun ordentligt efter den första uppvärmningen.

4. Om ingen rök eller lukt uppstår vid nästa uppvärmning kan du börja använda bastun.

Om rök eller lukt uppstår, lämna omedelbart basturummet, upprepa den första uppvärmningen och vädra därefter bastun igen.

6. Användning

**VARNING!****Brandrisk!**

Brännbara föremål som ligger på det varma bastuaggregatet kan antändas och orsaka eldsvåda.

- Lägg ALDRIG brännbara föremål på bastuaggregatet.
- Kontrollera att det INTE finns några brännbara föremål på bastuaggregatet innan bastuaggregat sätts igång.

6.1. Användning

Bastuaggregatet styrs via en styrenhet. Användningen av styrenheten beskrivs i tillhörande bruksanvisning. Observera att bastuaggregatet Concept R endast är avsett för styrenheter utan fjärrstartfunktion.



Med en anordning för säkerhetsavstängning (CP-R-SWL, tillval) kan bastuaggregatet Concept R även användas tillsammans med styrenheter MED fjärrstartfunktion.

6.2. Hälla vatten på stenarna

Man kan avsluta bastubadet med att hälla vatten på stenarna. Häll vatten på bastustenarna med en bastuskopa. Vattnet förångas och luften blir fuktigare i bastun.

Observera följande:

- Använd endast kranvatten. Saltvatten, starkt kalkhaltigt eller klorerat vatten kan leda till skador på bastuaggregatet.
- Använd endast doftämnen eller eteriska oljor som uttryckligen är avsedda för användning i bastu. Observera anvisningarna och uppgifterna på resp. förpackning.
- Häll inte vattnet för snabbt över bastustenarna. Om det hälls för snabbt över stenarna förångas det inte riktigt.

7. Underhåll

7.1. Längre användningsuppehåll

Fuktiga omgivningar och långa användningsuppehåll leder till att fukt adsorberas i värmestavarna. Detta är ett fysikaliskt förlopp och inget tillverkningsfel. Fukten i värmestavarna kan leda till att FI-skyddsbrytaren löser ut. Låt i sådana fall en elektriker åtgärda felet (se kapitel 9. **Felavhjälpning utförd av installatören**).



Värm upp bastuaggregatet i ca 15 minuter var 5:e till var 6:e vecka. På så sätt förhindrar man att fukt adsorberas i värmestavarna under längre användningsuppehåll.

7.2. Rengöring av bastuaggregatet

Se till att det inte samlas ludd eller damm i ventilationsöppningarna. På så sätt förhindrar man att luftcirkulationen försämras i bastuaggregatet. Försämrade luftcirkulation kan leda till överhettning.

7.3. Byta bastustenar

Bastustenarna påverkas både av vätskan och av de stora temperaturskillnaderna som uppstår under användningen. De kan bli anfräta och spröda.

Kontrollera bastustenarna regelbundet och byt ut dem minst en gång om året.



VARNING!

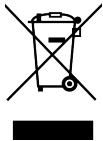
Brandrisk på grund av överhettning

Om bastuaggregatet används utan bastustenar blir bastuns väggar mycket varma. Detta kan orsaka eldsvåda.

- Använd INTE bastuaggregatet utan bastustenar.

1. Ta bort de gamla bastustenarna.
2. Avlägsna kalkavlagringar, damm och andra föroreningar från stenkorgen.
3. Rengör först bastustenarna noga med vatten och en borste. Använd inga rengöringsmedel.
4. Kontrollera om det finns främmande partiklar på stenarna och ta bort alla förpackningsrester innan de läggs in i bastuaggregatet.
5. Lägg bastustenarna i stenkorgen. Lägg i bastustenarna löst på varandra så att luften kan cirkulera mellan dem.
6. Se till att stenarna inte sticker ut ovanför stenkorgens kant.

8. Avfallshantering



- Ta hand om förpackningsmaterialet enligt gällande bestämmelser.
- Enheterna innehåller både återanvändbart material och skadliga ämnen. Släng inte en uttjänt produkt i hushållssoporna, utan lämna den till återvinning enligt gällande bestämmelser.

9. Felavhjälpning utförd av installatören

Uppvärmning och torkning av värmestavarna

Fuktiga omgivningar och långa användningsuppehåll kan leda till att fukt adsorberas i värmestavarna. Detta är ett fysikaliskt förlopp och inget tillverkningsfel. Fukten i värmestavarna kan i vissa fall leda till att FI-skyddsbrytaren löser ut.

I sådana fall ska bastuaggregatet värmas upp för torkning under uppsikt av en elektriker. FI-skyddsbrytarens skyddsfunktion ska då tas ur funktion. Uppvärmningen/torkningen tar ca 10 minuter. Därefter ska FI-skyddsbrytarens skyddsfunktion återställas igen.

Kontakta leverantören/återförsäljaren om problemet kvarstår efter detta.

10. Tekniska data

Måtten för de olika modellerna anges på **Bild 6** och **Bild 7** på sidan **26**.

Artikel-nummer	Effekt [kW]	Basturummets volym [m ³]	Ventilationsöppningens min. storlek [mm]	Vikt utan stenar [kg]
CP-RB-090	9,0	9–14	350 x 50	34
CP-RB-105	10,5	10–15	350 x 60	34
CP-RB-120	12,0	14–18	350 x 70	40
CP-RB-150	15,0	18–25	350 x 90	40

Artikel-nummer	Stenmängd [kg]	Säkring [A]	Matningsspänning
CP-RB-090	ca 25	3 x 16	400 V AC 3N~ 50/60 Hz 230 V AC 1N~ 50/60 Hz
CP-RB-105	ca 25	3 x 16	400 V AC 3N~ 50/60 Hz 230 V AC 1N~ 50/60 Hz
CP-RB-120	ca 35	3 x 16/3 x 10	400 V AC 3N~ 50/60 Hz
CP-RB-150	ca 35	3 x 16/3 x 10	400 V AC 3N~ 50/60 Hz

Artikel-nummer	Värmestavar
CP-RB-090	6 x SCA150 (1-028-518)
CP-RB-105	3 x SCA150 (1-028-518)/3 x SCA200 (1-028-503)
CP-RB-120	6 x SCA150 (1-028-518)/3 x CPRM115 (1-043-621)
CP-RB-150	6 x SCA150 (1-028-518)/3 x SCA200 (1-028-503)

Bild 6 Mått Concept R 9 kW och 10,5 kW
(CP-RB-090/CP-RB-105)
mått i mm

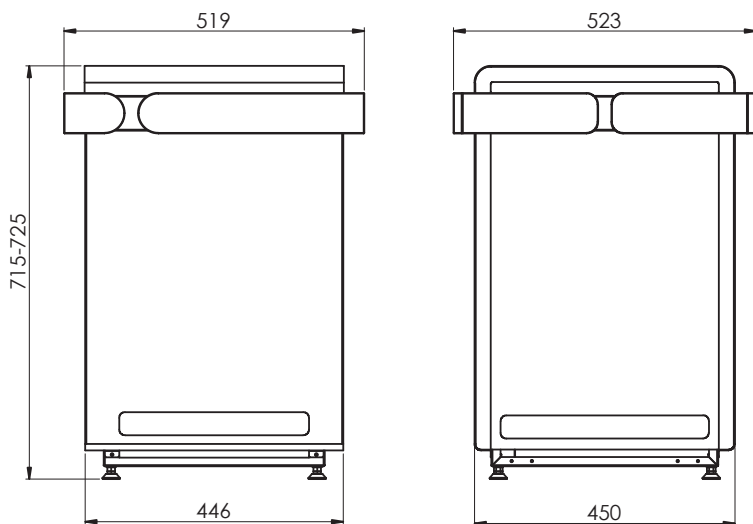
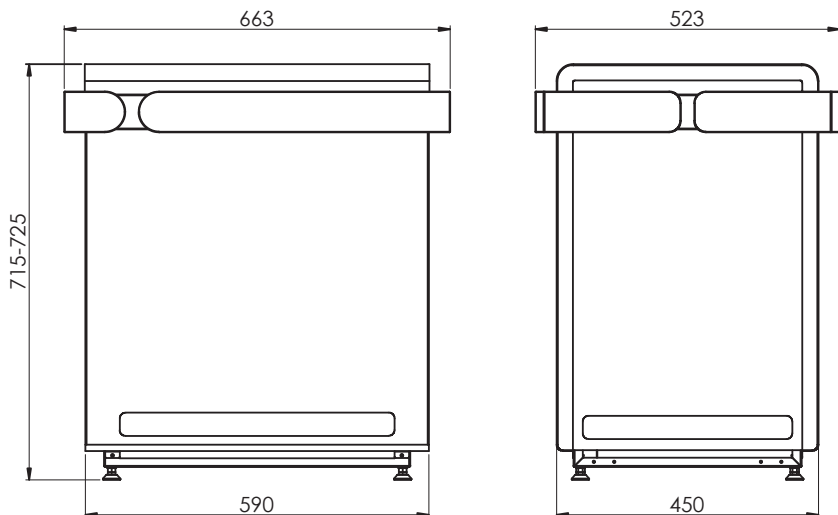


Bild 7 Mått Concept R 12 kW och 15 kW
(CP-RB-120/CP-RB-150)
mått i mm



sentiotec 
DIVISION OF HARVIA GROUP

CENTRAL EUROPE

sentiotec GmbH | Division of Harvia Group |

Wartenburger Straße 31,
A-4840 Vöcklabruck

T +43 (0) 7672/22 900-50 | F -80 |

info@sentiotec.com | www.sentiotec.com

GLOBAL

HARVIA

P.O. Box 12, Teollisuustie 1-7,
40951 Muurame, FINLAND

T +358 207 464 000

harvia@harvia.fi | www.harvia.fi

RUSSIA

Адрес уполномоченного лица:

ООО «Харвия Рус»
196006, Россия. Санкт-Петербург г,
пр-кт Лиговский, д. 266, стр. 1, помещ.
2.1-Н.50 | ОГРН 1157847200818

T +78123258294 | spb@accountor.ru

