

PP60/PP10

PERISTALTIC PUMP
FOR DOSING POOL CHEMICALS





General safety information

This user manual contains basic information that should be observed during assembly, start-up, operation, and maintenance. Therefore, this user manual must be read by installers and operators prior to assembly and start-up, and must be accessible to every user of this unit. Additionally, all further safety information in this document absolutely must be observed. Read and follow all instructions. In order to minimize the danger of injury, do not allow children to use this product. Hazards from non-compliance with safety information. Non-compliance with safety information can result in hazards to persons, the environment, and the equipment. Non-compliance with safety information will result in a forfeit of any potential right to damage compensation.

Insufficient personnel qualification

Hazards in the event of insufficiently qualified personnel, potential consequence: Injury, heavy material damage.

- The system operator must ensure compliance with the required qualification level.
- Any and all work may only be performed by correspondingly qualified personnel.
- Access to the system must be prevented for insufficiently qualified persons, e.g. via access codes and passwords.

Potential overdosing of chemical agents

Despite PP60 comprehensive safety functions, it is possible that a probe failure and other errors could lead to an overdosing of chemical agents. Potential consequence: Injury, heavy material damage.

- Design your installation such that uncontrolled dosage is not possible in the event of a probe failure or other errors, and/or such that uncontrolled dosage is recognized and halted before damage is incurred.
- Uncontrolled overdose of chemicals can cause harm to health and property. Even though the device contains a number of security elements can not be ruled out that in case of failure of the measuring probes, or the whole device may result in overdose of chemical agents. Install the equipment so that uncontrolled overdose of chemicals was not possible and that uncontrolled overdose has been detected in time before causing any harm. It is necessary to use chemicals in such quantities that an overdose will not cause dangerous concentration of chemical agents. Do not use chemicals in too large packages or with too high concentration.

Gaseous chlorine produced from dosing in standing water if dosing outputs are not closed via the filter pump

If the flow switch is stuck or experiences another error, there is a risk of dosing into standing water. Poisonous chlorine gas can be yielded when sodium hypochlorite and pH minus come together.

Non compliance with informational text

There is a great deal of informational text indicating hazards and their avoidance. Not observing informational text may lead to hazards. Potential consequence: gravest degree of injury, heavy material damage.

- Read all informational text carefully.
- Cancel the process if you are unable to exclude all potential hazards.

Use of new functions

Because of the continued development, a PP60 unit may contain functions, which are not completely described in this version of the user manual. The use of such new or extended functions without a profound and secure understanding by the operator may result in malfunctions and severe problems. Potential consequence: Injury, heavy material damage.

- Make sure to get a profound and secure understanding of a function and relevant boundary conditions, before you start to use it.
- Check for an updated version of the user manual or additional documentation available for the relevant functions.
- Make use of the integrated help function of the PP60 to get detailed information on functions and their parameter settings.
- In case it should not be possible to get a profound and secure understanding of a function based on the available documentation, do not use this function.

Overdosing if pH value is wrong

If disinfection is enabled before the pH value is stable in the ideal range of 7.0 to 7.4, then it may lead to heavy overdosing of chlorine or bromine. Potential consequence: Injury, heavy material damage.

- Do not start disinfection with chlorine until the pH value is stable in the ideal range between 7.0 and 7.4.

Conditions before using

Make sure you have a newest and updated version of the user manual and other documentation for all functions of the unit. Use and read the integrated help features. In case of not understanding the information about certain features of the unit, do not use these features.

Handling chemicals for pool water treatment

The chemicals used with the PP60 must be handled in a safe manner to prevent damage or personal harm. Aseko recommends you always use personal protective safety equipment when handling the pH and chlorine agents. Refer to the Materials Safety Data Sheet (MSDS).

WARNING: Never mix the pH agent with the chlorine agent. When carrying out maintenance on the clear plastic tubes or valves always rinse with clean water to prevent mixing of the pH and chlorine agents.



What's in the box

PP60 / PP10



Peristaltic pump
for PP60 - 60 ml/min #12093
for PP10 - 10 ml/min #12117

Injection valve 2 pcs
#12005



Suction tube weight
#12023



Dowels and screws



PE Tube 1/4" (6.35 mm)
transparent
#12008



Peristaltic pump

The peristaltic pump PP60/PP10 is suitable for dosing of aggressive chemicals e.g. acids, lyes and disinfection agents, especially for the treating of the pool water.

PP60/PP10 can be both purchased in two variants.

The PP60 (230V) and PP10 (230V) variant is equipped with a 230V power cable and the connection is made by connecting the mains. The PP60 pump then dispenses 60 ml / min. The PP10 pump then dispenses 10ml / min.

The PP60 (12 / 24V) and PP10 (12 / 24V) variant is intended for connection to the terminals of the ASIN Aqua Profi control system, which then controls the dosing.

PP60 (12 / 24V)

12053

PP10 (12 / 24V)

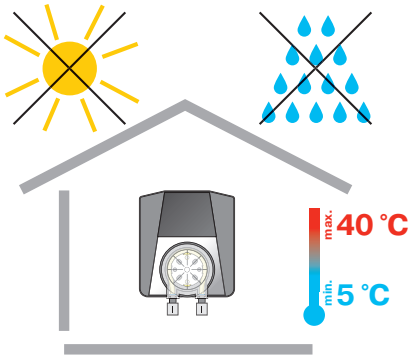
13263

PP60 (230V)

13020

Technical description

Power supply	230 V / 50 Hz (or 12/24 V)
Power consumption	7 VA
Sicherung	T32 mA
Kategorie	II
Ingress protection	IP30
Operating temperature	+5 to +40°C
Weight	526g
Installation	wall mounted
Pump output	PP60 – 60 ml/min, PP10 – 10 ml/min
Max. water pressure	1 bar
Dimensions	120 x 150 x 120 mm



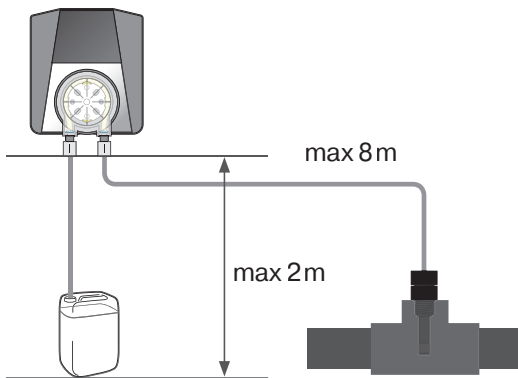
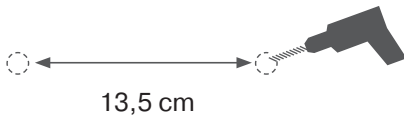
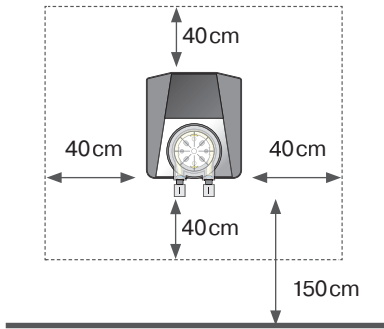
Installation

PP60/PP10 is to be wall mounted in dry and dust-free environment with temperature ranging from +5 °C to +40 °C. To mount the device, use the mounting holes that are accessible after opening the front cover of the device. To mount the device use screws supplied with the device.

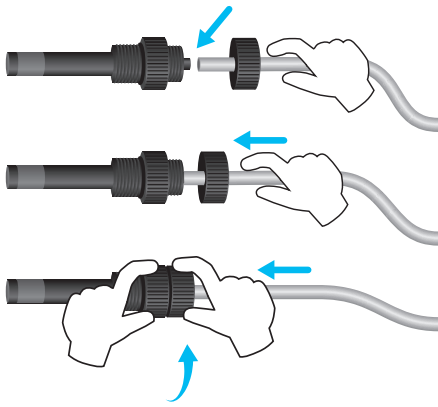
WARNING: The location temperature should permanently be in the range from +5 °C to +40 °C.

Direct sunlight, high humidity and dust may lead to damage to PP60/PP10.

- Before installing, ensure that pool water is chemically clean and free of dirt.
- The maximum distance of injection valves from peristaltic pump of PP60/PP10 must not be greater than 8 m.
- Vertical distance between PP60/PP10 and the bottom of containers must not exceed 2 m.

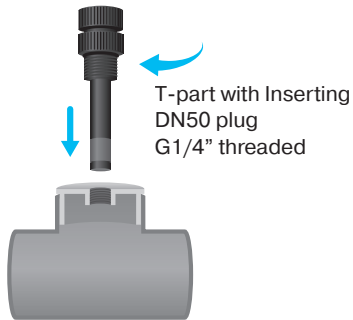


Pool Chemicals Connection



At this step is necessary to connect the injecting valves of individual chemicals to the dosing pumps and dosed agents.

Place the injecting valve in the T-joint, blinded with the DN50 G1/4" threaded plug #12134.



1. Cut the PE tube at 90 ° angle to ensure proper fitting.

- Use the sharp knife to cut plastic. The cut must be clean and smooth.

2. Drill the 6 mm hole and the 1 mm hole (air suction) into the CHLORPURE canister cap. Push the PE tube through the cap. Select the tube distance so that the tube reaches the canister bottom and can be connected to the pump as straight as possible. A long tube in the canister would bend and produce air bubbles.

3. Put a weight on the tube end and dive it in the canister.

4. Connect the plastic tube from the pH canister to the pump to the left connection.

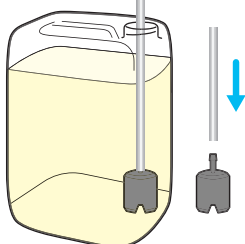
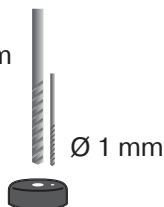
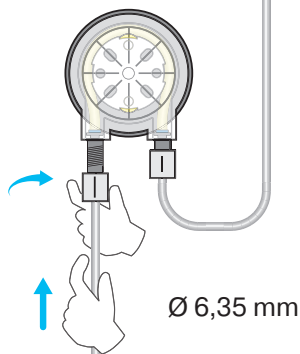
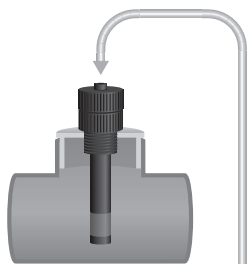
5. Connect the plastic tube to the pump right connection and the injection valve.

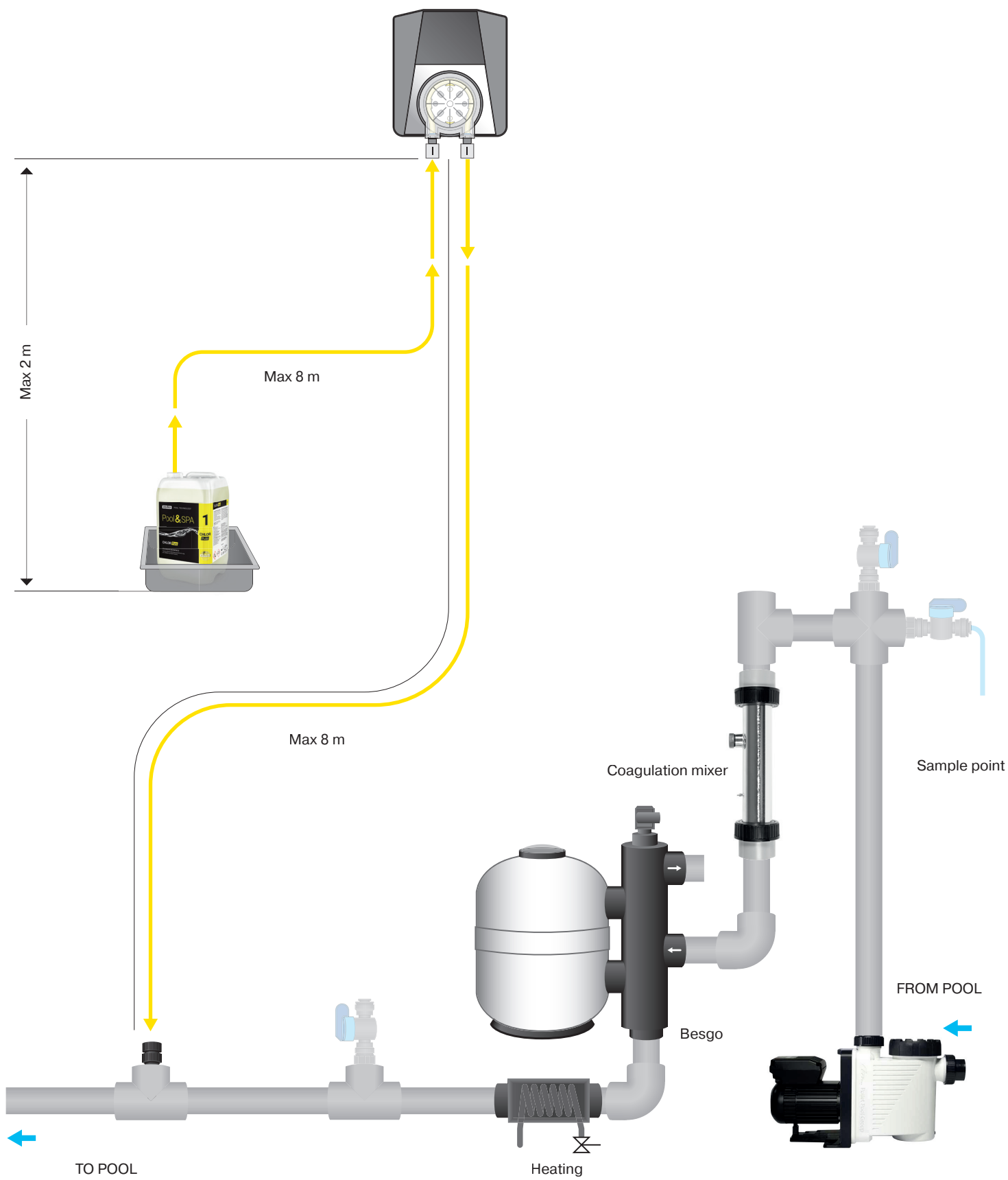
6. Hand screw the injection valve in the specified mounting hole (see diagram).

- The injection valve is installed in G 1/4" thread.

- Check throughput of the injection valves and tightness of the entire system.

WARNING: Only hand tighten. Do not use tongs or any other tools.





Initial start

PP60 (230V) and PP10 (230V)

The PP60 and PP10 230V are started by plugging the cable into the socket. The power supply must be shared with the power supply to the circulation pump. Switching off the circulation pump must switch off the device, otherwise incorrect dosing into standing water would occur.

PP60 (12 / 24 V) and PP10 (12 / 24 V)

PP60 and PP10 (12V / 24V) are designed for connection to the ASIN Aqua Profi control system, which then controls the dosing. The safety functions of the control system ensure the correct operation.

Recommendation: Run the device in clean water without any pool products.

Recommendation: Test the connections of the connecting pipes. After starting the device, dosing starts. Visually check for leaks at any joint. After switching off the device, check that the liquid in the PE tube does not fall back.

Errors

Agent Run Out

- Check liquid levels on a regular basis, refill in time.

Dosing Pump does not Dose

- Leakage in connection of PE tubes or they are damaged.
- Failure of dosing pump. Check whether pump is running. If so, check the hose inside the pump for damage or breakage and replace it, if required.

Injection Valve Clogged

- Impassable injection valve.
Check the valve for being clogged with impurities or deposits or the rubber seal for being damaged.
- Failure of dosing pump. Check whether pump is running.
If so, check the hose inside the pump for damage or breakage and replace it, if required.

Fuse failed

If the input voltage to the peristaltic pump is OK and the pump does not work, the mains fuse T 80 mA may have failed. The fuse is located on the PCB inside of the device. To replace the fuse follow the procedure below:

1. unplug the power cord
2. unscrew and remove the front cover of the pump
3. replace fuse
4. restore the device to its original state

Maintenance

#12073 Replacement tube kit for PP 60



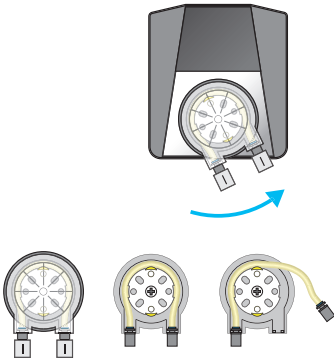
To ensure the optimum efficiency, perform visual checks and maintenance of PP60/PP10 on a regular basis.

Pump Hose Replacement

To prevent the pump from failing, it is recommended to replace the hose #12073 every 24 months.

In doing so, proceed as follows:

- Switch off the device.
- Turn the pump cover cassette counterclockwise and take it out.
- Release both hose ends and take it out of the cassette.
- Lubricate the new hose with the supplied special grease.
- Insert the lubricated hose into the cassette.
- Place the cover cassette back and turn it clockwise to lock it.
- Use new nuts, which are part of the replacement hose set, for connection of the PE tube.



#12005 Injection valve



Injection Valve Maintenance

On a regular basis, check throughput of the injection valves, rubber band integrity, remove scale.

In case of private pools, replace injection valve rubber bands every 2 years. In case of public pools, replace injection valve rubber bands every year.

#13087 Injection valve rubber





USER MANUAL

PP60/PP10

